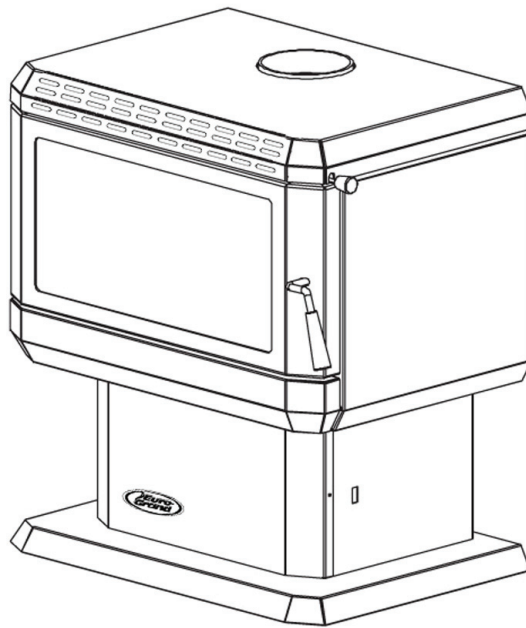


OWNERS AND INSTALLATION

Manual

Euro-Grand Freestanding Wood Fire

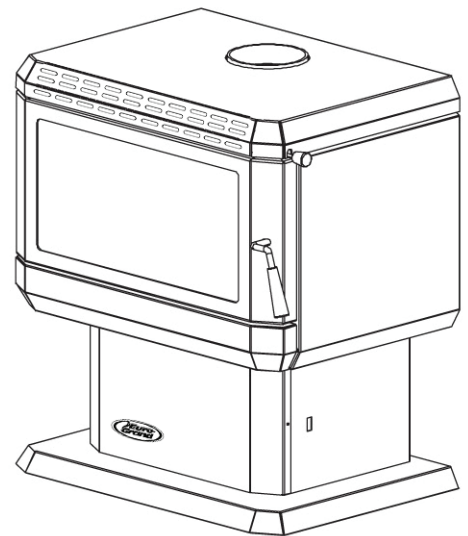
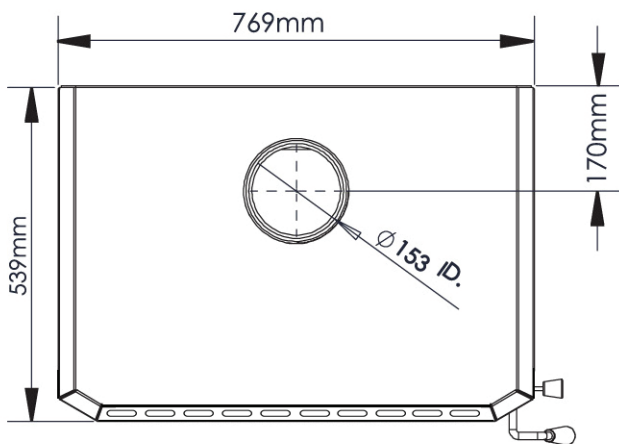
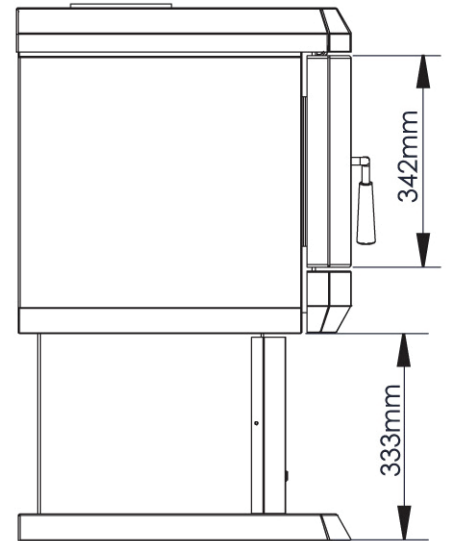
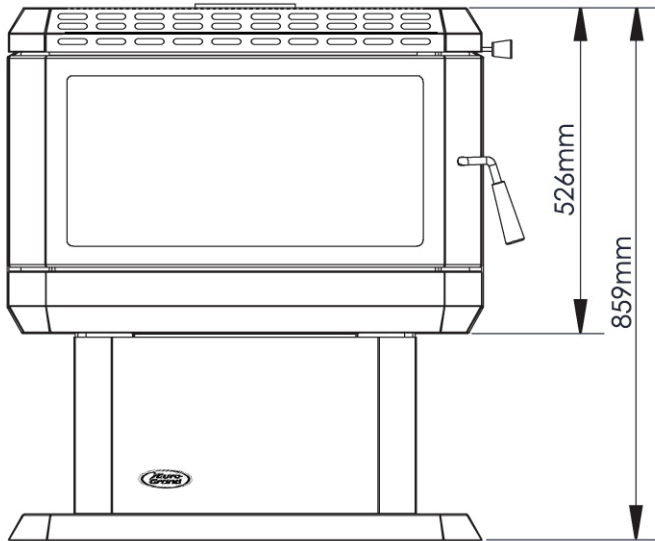


**PLEASE RETAIN THIS INSTRUCTION MANUAL
FOR FUTURE REFERENCE**

Warning: Please take care upon installing, making adjustments or alterations, servicing or maintaining this product as improper use can cause injury or damage to your property. Keep this manual safe for future reference. Consult an authorized installer, service agency or the distributor for assistance or additional information.

Warning: DO NOT use or store petrol, or any other flammable liquids or vapours in the vicinity of this appliance. An authorized installer, service agency or gas supplier must perform all installation and services carried out on this Euro-Grand Freestanding Wood Fire.

UNIT DIMENSIONS



INSTALLATION

RESIDENTIAL INSTALLATION

- 1 - It is essential to thoroughly read and understand this manual before you install or use your newly purchased Euro-Grand Freestanding Wood Fire. Failure to do so could result in damage to property, personal injury or even death. Local Codes and Regulations may override some items in this manual. You may need to check with your local inspector.
- 2 - **THE APPLIANCE AND FLUE-SYSTEM SHALL BE INSTALLED IN ACCORDANCE WITH AS/NZS 2918:2001 AND THE APPROPRIATE REQUIREMENTS OF THE RELEVANT BUILDING CODE OR CODES.**

APPLIANCES INSTALLED IN ACCORDANCE WITH THIS STANDARD SHALL COMPLY WITH THE REQUIREMENTS OF AS/NZS 4013 WHERE REQUIRED BY THE REGULATORY AUTHORITY.

ANY MODIFICATION OF THE APPLIANCE THAT HAS NOT BEEN APPROVED IN WRITING BY THE TESTING AUTHORITY IS CONSIDERED TO BE IN BREACH OF THE APPROVAL GRANTED FOR COMPLIANCE WITH AS/NZS 4013.

CAUTION: Mixing of appliance or flue-system components from different sources or modifying the dimensional specification of components may result in hazardous conditions. Check with an authorized inspector whenever such amendments are considered.

- 3 - When selecting a position for your Euro-Grand Freestanding Wood Fire, consult the minimum clearance chart and set the stove in place according to your model. For close clearance installation use listed double wall connector systems.
- 4 - For precise vertical alignment, it is recommended to use a plumb bob. Suspend the plumb bob from the ceiling over the exact center of your stove flue and mark a spot on the ceiling to indicate the center of the chimney.
- 5 - Check that the area above the ceiling is clear for cutting. Re-confirm the clearance from the stove to combustibles to insure that they are within the prescribed limits.
- 6 - Mark the footprint of the pedestal base on the floor, move the stove aside and then mark the position of the floor protector.
- 7 - To install the chimney, use the chimney manufacturers instructions. The chimney system governs the performance of your Euro-Grand Freestanding Wood Fire. A chimney cut too short can cause difficulties starting-up, dirty glass, back-smoking when the door is open, and even reduced heat output. A chimney that is too tall may prompt excessive draft that can result in very short burn times and excessive heat output.

- 8 - The floor protector must be made of non-combustible material. Refer to page 4 for floor protector clearances.
- 9 - When the floor protection is complete, position the stove with the flue collar centered under the chimney.
- 10 - In seismically active areas, Euro-Grand recommends that your unit be secured to the floor by using the bolt down holes inside the pedestal.
- 11 - **Do not connect this unit to a chimney that is servicing another appliance.**

SAFETY GUIDELINES AND WARNINGS

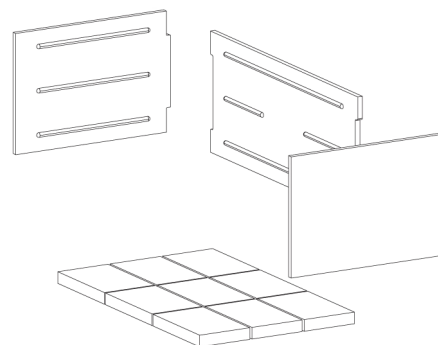
- 1 - NEVER USE petrol, petrol type lantern fuels, kerosene, charcoal lighter fuel, engine oil, or any other similar flammable liquids to start or refuel a fire in your Euro-Grand Freestanding Wood Fire. Keep all flammable liquids well away from the heater while it is in operation.
- 2 - Keep the door closed when your wood fire is being used and ensure that all seals are maintained and in good condition.
- 3 - DO NOT BURN any quantities of paper or garbage in your Euro-Grand Freestanding Wood Fire.
- 4 - Prevent smoke spillage from your Euro-Grand Freestanding Wood Fire as this may set off a false alarm on your smoke detectors located near by.
- 5 - DO NOT over-fire your Euro-Grand Freestanding Wood Fire. If the chimney connector, flue baffle or the top of your wood fire begin to glow, you are over-firing. To prevent this, stop adding fuel and close the draft control. Over-firing can cause extensive damage to your wood fire including warpage and premature steel corrosion. Over-firing will void your warranty.
- 6 - Check and clean your chimney regularly. Do not allow creosote or soot to build up in the chimney system as failure to do so can result in a serious chimney fire.
- 7 - Your Euro-Grand Freestanding Wood Fire can become extremely hot when in use. You may be seriously burned if you touch the wood fire while it is in operation.
- 8 - Keep children, clothing and furniture away from your wood fire. Ensure that you warn children of the burn hazard. It is recommended that a guard is placed around your wood fire for safety reasons.
- 9 - The Euro-Grand Freestanding Wood Fire consumes air while it is in operation so provide adequate ventilation with an air duct or open a window while the wood fire is in use.

- 10 - DO NOT connect this unit to a chimney flue that is servicing another appliance.
- 11 - DO NOT use grates or andirons or other methods for supporting fuel. Burn directly on the base or bricks where supplied.
- 12 - When refueling your fire open the draft control fully for 10 to 15 seconds prior to slowly opening the door.
- 13 - Do not connect your unit to any air distribution duct.
- 14 - Your Euro-Grand Freestanding Wood Fire should burn dry, standard firewood only. The use of cut timber, plywood, salt drift wood, off cuts or other similar materials that have been chemically treated is not allowed as this fuel can easily overheat your wood fire. Evidence of excessive overheating will void your warranty. Please note that it is illegal to burn chemically treated products in many areas.
- 15 - No combustible material should be closer than the clearances as specified on page 4.
- 16 - **DO NOT OPERATE WITH BROKEN GLASS.**

BRICK AND CAST INSTALLATION

Insert the rear cast plate first and then the side plates ensuring the cut out sections lock in firmly. The bricks can then be placed on the base of the firebox between the cast side and rear plates.

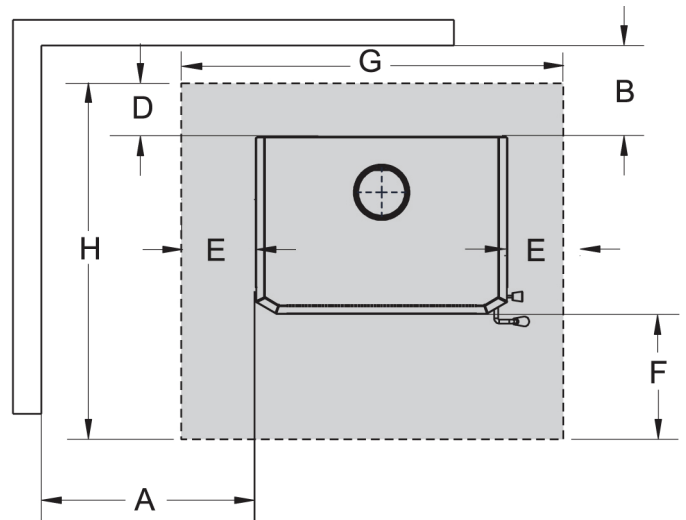
Firebrick is included to extend the life of your stove and radiate heat more evenly.



INTRODUCTION

MINIMUM CLEARANCE TO COMBUSTIBLE MATERIALS

	Flo-Met Super Single ^{*(1)}	Hawkwind Standard	AHD Special Insulated ^{*(2)}
A	400mm	400mm	450mm
B	210mm	180mm	300mm
C	200mm	200mm	200mm
D	181mm	181mm	181mm
E	123mm	123mm	123mm
F	400mm	400mm	400mm
G	1015mm	1015mm	1015mm
H	1120mm	1120mm	1120mm

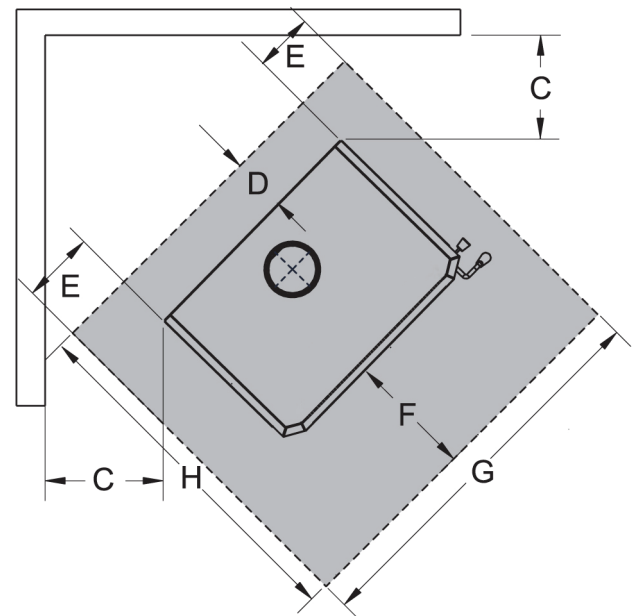


FLOOR PROTECTION

A combustible floor must be protected by non-combustible material (like tile, concrete board, or as defined by local codes) extending beneath the heater as follows;

From Sides: 123mm
 From Front: 400mm
 From Back: 181mm

The floor protector should consist of 6mm thick cement fibre sheet that has a thermal resistance of 0.8m² k/w for 4mm sheets of cement fibre sheet.



IMPORTANT

*(1) The **Flo-Met Super Single flue kit** must be installed with a 130° X 900mm stainless reflective shield between decromesh.

*(2) The **AHD Special Insulated flue kit** must be installed with a 40mm air gap around the flue to any combustible surfaces and the ceiling ring must be spaced as such to provide an air gap of 20mm to the ceiling. The AHD Special Insulated flue kit must be installed with a perforated ceiling plate and 250mm dia. X 195mm high heatshield positioned directly above the ceiling plate.

The flue pipe shall extend no less than 4.6m above the top of the floor protector.
NOTE: A licensed installer in accordance with AS/NZS 2918:2001 must carry out installation.

OPERATING INSTRUCTIONS

OPERATING INSTRUCTIONS

Now that your Euro-Grand Freestanding Wood Fire is correctly installed and safety inspected by your local authority, you are now ready to start a fire. Before establishing your first fire, it is important that you fully understand the operation of your draft control.

CAUTION: THIS APPLIANCE MUST BE MAINTAINED AND OPERATED AT ALL TIMES IN ACCORDANCE WITH THESE INSTRUCTIONS.

CAUTION: THE USE OF SOME TYPES OF CHEMICALLY TREATED WOOD AS A FUEL CAN BE HAZARDOUS.

WARNING: ANY MODIFICATION OF THE APPLIANCE THAT HAS NOT BEEN APPROVED IN WRITING BY THE TESTING AUTHORITY IS CONSIDERED AS BREACHING AS/NZS 4013.

WARNING: DO NOT USE FLAMMABLE LIQUIDS OR AEROSOLS TO START, RE-KINDLE OR REFUEL THE FIRE.

WARNING: DO NOT USE FLAMMABLE LIQUIDS OR AEROSOLS IN THE VICINITY OF THIS APPLIANCE WHEN IT IS IN OPERATION.

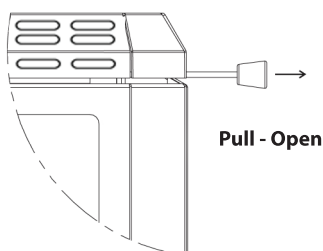
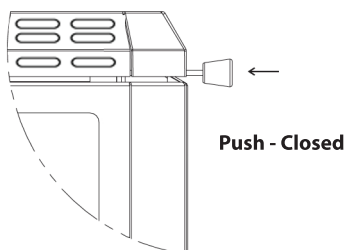
WARNING: DO NOT STORE FUEL WITHIN HEATER INSTALLATION CLEARANCES.

WARNING: OPEN AIR CONTROL (AND DAMPER WHEN FITTED) BEFORE OPENING FIRING DOOR.

For safety reasons and in order to avoid over-firing of your unit do not burn your fire with the door open or ajar.

AIR SLIDE CONTROL

Both the primary and air wash drafts are controlled by the control rod which is located on the right side of the unit (when facing the unit). To increase your draft – pull open, and to decrease – push closed. All units have a secondary draft system that continually allows combustion air to the induction ports at the top of the firebox, just below the flue baffle.



WARNING: To disregard the information contained in this section will void warranty and can cause serious permanent damage to your Euro-Grand Freestanding Wood Fire.

YOUR FIRST FIRE IN YOUR NEW WOOD FIRE

When your installation has been completed and inspected you are ready for your first fire.

- 1 - Open control fully.
- 2 - Open wood fire door and build a small fire using paper and dry kindling on the firebrick hearth. Secure the door on your wood fire and wait a few minutes for a good updraft in the flue to establish the fire. (Leaving the door slightly open will help your fire start more rapidly.)

CAUTION: Never leave your Euro-Grand Freestanding Wood Fire unattended if the door is left open or ajar. This procedure is for fire start-up only, as your wood fire may overheat if the door is left open for too long.

- 3 - With the draft still in the fully open position, add two or three seasoned logs to your fire. Form a trench in the ash bed to allow air to reach the rear of the firebox prior to closing the door.
- 4 - After about 45 minutes, when your wood has begun to burn strongly, adjust your draft control down to keep the fire at a moderate level.

WARNING: Never build a roaring fire in a cold wood fire. Always warm your firebox up slowly!

- 5 - Once a bed of coals has been established on the base of the firebox, you may adjust the draft control to a low setting to operate the unit at its most efficient mode.
- 6 - During the first few fires, keep the combustion rate at a moderate level to avoid a large fire. Only after 5 or 6 such fires can you operate the stove at its maximum setting, and only after the metal has been warmed.
- 7 - For the first few days, the stove will release an odour from the paint. This is to be expected as the high temperature paint becomes seasoned. Windows and/or doors should be left open to provide adequate ventilation while this temporary condition exists. Burning the stove at a very high temperature the first few times may damage the paint. Ensure that you burn fires at a moderate level for the first few days.
- 8 - Do not place anything on the stove top during the curing process. This may result in damage to your paint finish.
- 9 - During the first few days it may be more difficult to start the fire. As you dry out your firebrick and your masonry flue, your draft will increase.

MAINTENANCE

10 - For those units installed at higher elevations or into sub-standard masonry fireplaces, drafting problems may occur. Consult an experienced dealer or mason on methods of increasing your draft.

11 - Some cracking and popping noises may be experienced during the heating up process. These noises will be minimal when your unit reaches temperature.

12 - Before opening your door to reload, open draft fully for approximately 10 to 15 seconds until your fire has been re-established. This will minimize any smoking.

13 - All fuel burning appliances consume oxygen during operation. It is important that you supply a source of fresh air to your unit while burning. A slightly opened window is sufficient for this purpose. If you also have a fireplace in your home, a downdraft may be created by your Euro-Grand Freestanding Wood Fire causing a draft down your chimney.

CAUTION: If the body of your wood fire, flue baffle or any part of the chimney connector starts to glow, you are over-firing. Stop loading fuel immediately and close the draft control until the glow has completely subsided.

14 - Green or wet wood is not recommended for your unit. If you must add wet or green fuel, open the draft control fully until the intense fire has dispersed all moisture. Once all moisture has been removed, the draft control may be adjusted to maintain the fire.

15 - If you have been burning your wood fire on a low draft, be cautious when opening the door. After opening the damper, open the door slightly, and allow the fire to adjust before fully opening the door.

16 - The controls of your unit or the air supply passages should not be altered to increase firing for any reason.

17 - If you burn the unit too slowly or at too low a setting your unit will not be operating as efficiently as possible. Burn the wood fire hot enough to keep your glass clean and you won't need to clean your flue as often. If your glass is clean, then your flue and exhaust will be clean.

CREOSOTE

When wood is burned slowly, it produces tar and other organic vapours, which when combined with moisture, form creosote. The creosote vapours condense in the relatively cool chimney flue of a slow burning fire. As a result, creosote residue accumulates on the flue lining. When ignited, this creosote can result in an extremely hot fire.

WARNING: Things to remember in case of a chimney fire:

- 1 - Close all draft and damper controls.**
- 2 - CALL YOUR LOCAL FIRE AUTHORITY**

WAYS TO PREVENT AND KEEP YOUR WOOD FIRE FREE OF CREOSOTE

- 1** - Burn wood fire with the draft control wide open for about 10-15 minutes every morning during the burning season and every time you apply fresh wood. This allows the wood to achieve the charcoal stage faster and burns up any unburned gas vapours that might otherwise be deposited within the system.
- 2** - Only burn seasoned wood (has been dried for at least one year). Avoid burning wet or green wood.
- 3** - Large smouldering fires can deposit creosote within the system. A small hot fire is preferable.
- 4** - The chimney and chimney connector should be inspected at least once every two months during the burning season to determine if a creosote buildup has occurred.
- 5** - Ensure your chimney system and unit is cleaned by qualified chimney sweeps twice a year during the first year of use and at least once a year thereafter or when a significant layer of creosote has accumulated (3mm/1/8" or more). It should be removed to reduce the risk of a chimney fire.

WOOD STORAGE

Store firewood under cover, such as in a shed, or covered with a tarp or plastic as uncovered firewood can absorb moisture from the rain or snow, delaying the seasoning process.

MAINTENANCE

Please ensure that you carefully maintain your Euro-Grand Freestanding Wood Fire, including burning seasoned wood and maintaining a clean firebox and chimney system. Have the chimney cleaned before the burning season and as necessary during the season, as creosote deposits may build up rapidly.

Moving parts of your stove require no lubrication.

GLASS MAINTENANCE

Your Euro-Grand Freestanding Wood Fire is supplied with 5mm Neoceram ceramic glass that will withstand the highest heat that your unit will produce. In the event that you break your glass by impact, purchase your replacement from an authorized Euro-Grand dealer only, and follow our step-by-step instructions for replacement.

Do not clean the glass when it is hot. Allow the stove to cool down before cleaning the glass.

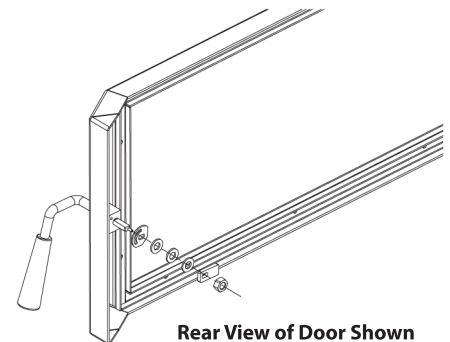
Do not use abrasive cleaners.

DOOR LATCH ADJUSTMENT

The door latch may require adjustment as the door gasket material compresses over time.

Follow the steps below to allow the latch to be moved closer to the door frame, causing a tighter seal;

- 1** - Unscrew latching sleeve.
- 2** - Remove allen screw.
- 3** - Spin door handle clockwise to desired depth.
- 4** - Re-install allen screw and latching sleeve.
- 5** - Adjust set screw to proper depth to ensure that the handle does not rotate 360 degrees.



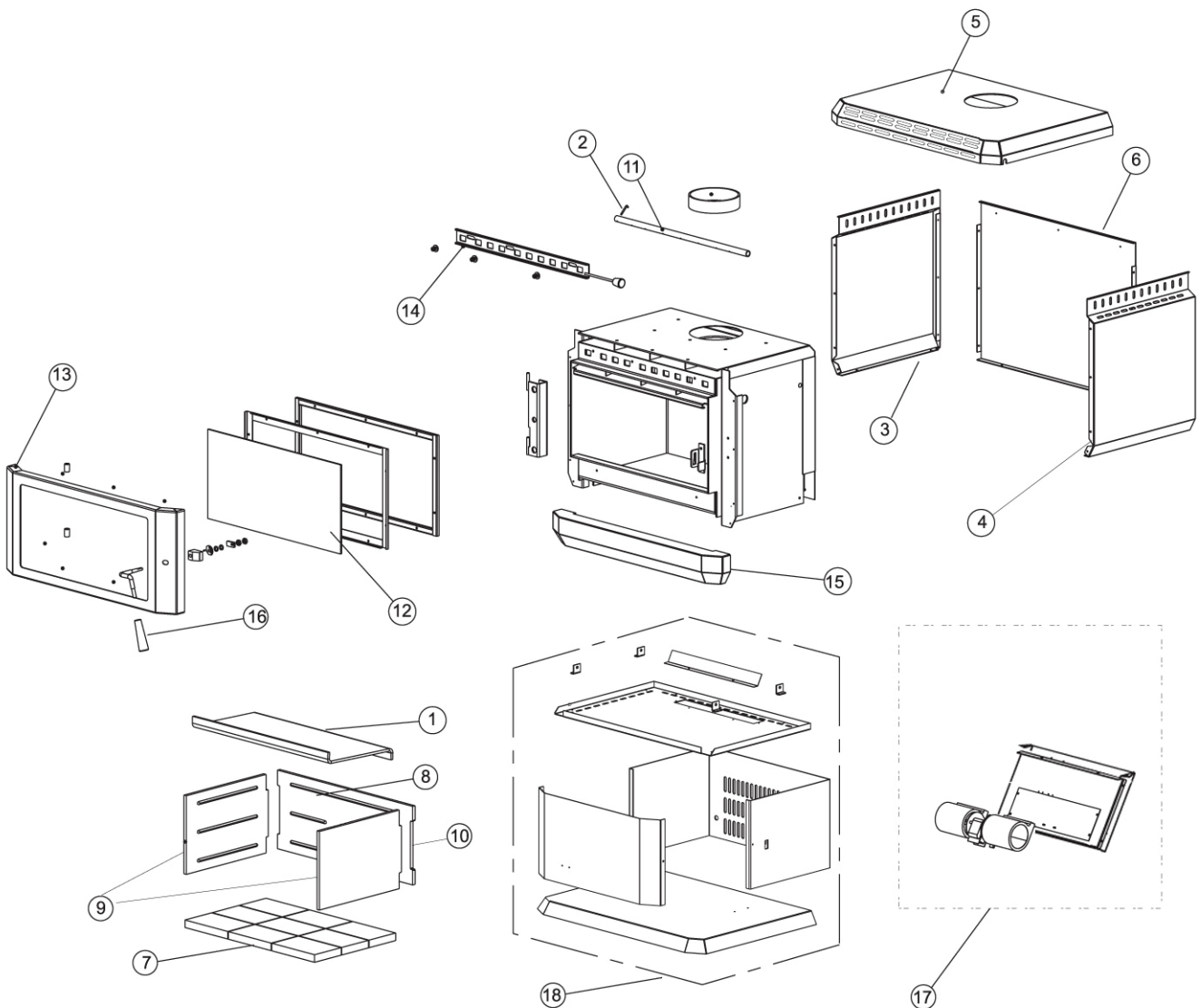
*** WARRANTY ***

All Euro-Grand Freestanding Wood Fire Units are covered with a 12 Month Warranty!

PARTS LIST

STOVE ASSEMBLY

Part#	Description	Part#	Description
1)	Baffle Top	11)	Air Bar Stainless Steel
2)	Securing Pins	12)	Glass Neoceram with Gasket
3)	Panel Outer Side Left	13)	Door Assembly (without handle)
4)	Panel Outer Side Right	14)	Air Slide
5)	Top Plate/Panel	15)	Ash Lip Panel
6)	Rear Panel	16)	Door Handle Set
7)	Bricks Set (Set 9)	17)	Fan Assembly
8)	Liner Cast Iron (Set)	18)	Pedestal Assembly
9)	Liner Cast Iron Sides (L & R)		
10)	Liner Cast Iron Back		





**NOTE: PLEASE RETAIN YOUR INVOICE AS PROOF OF PURCHASE FOR WARRANTY VERIFICATION
INCORRECT INSTALLATION IS NOT COVERED BY WARRANTY**



PINNACLE WHOLESALERS

42 Gregory Street West, Ballarat, VIC 3355

email: sales@pinnaclewholesalers.net.au

telephone: (03) 5342 9651