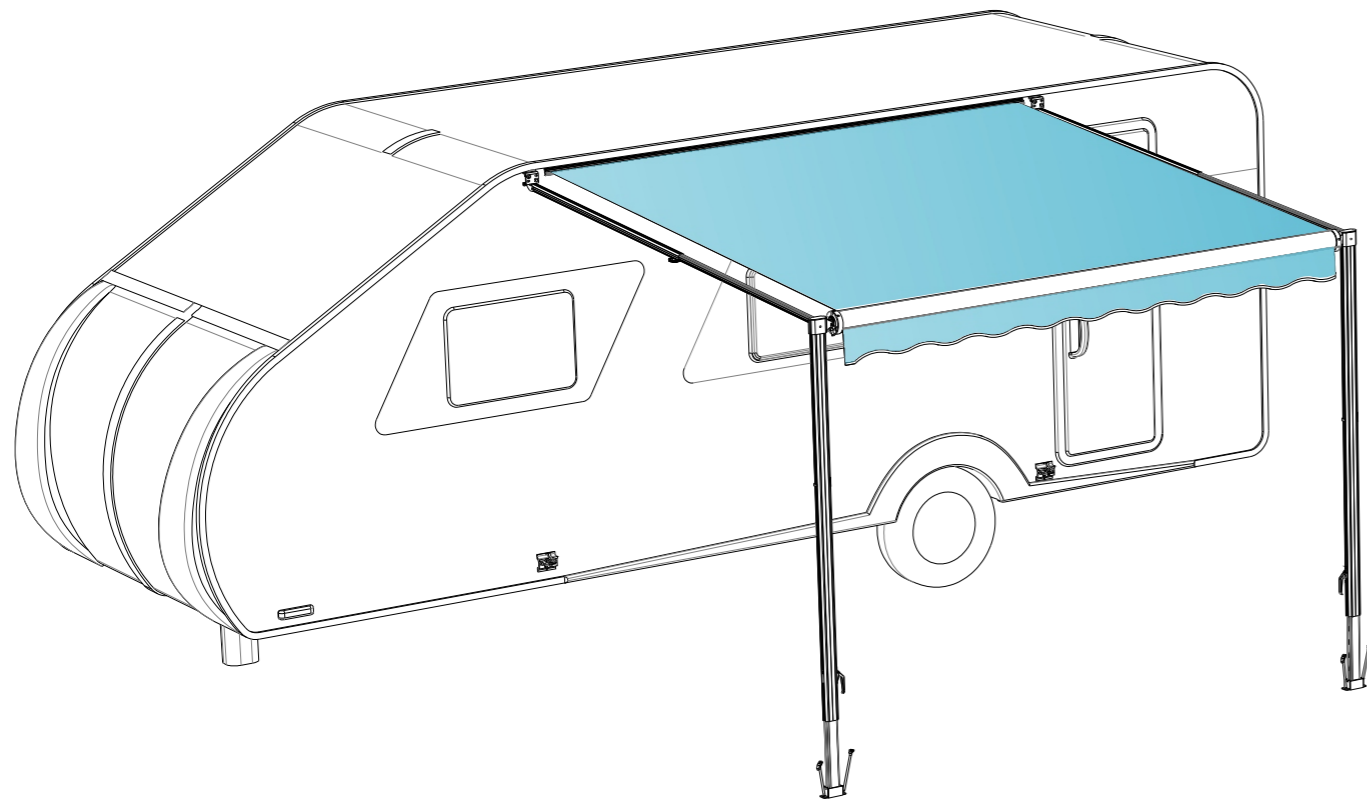


Installation & Instructions

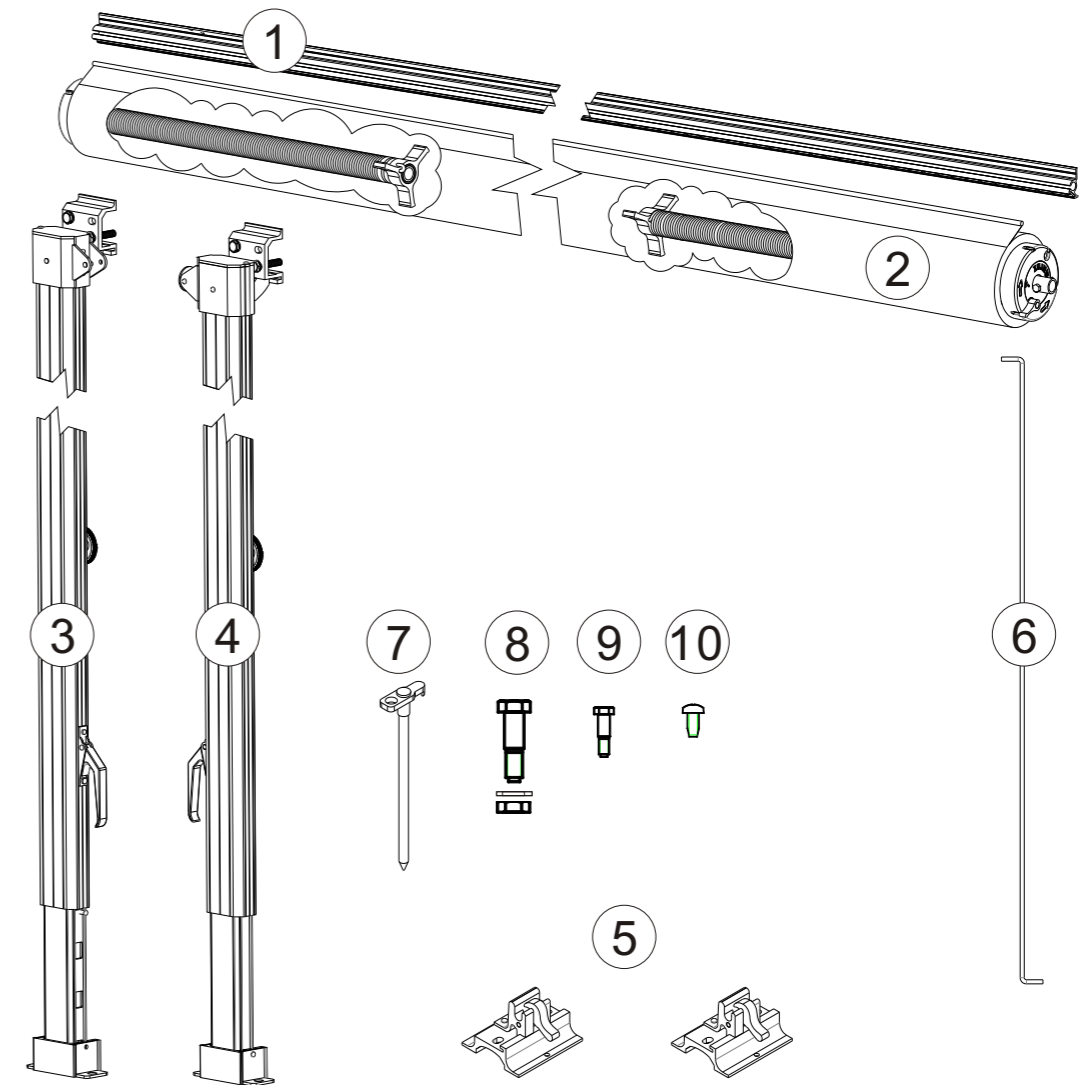
- W 5600
- W5600C

Caravan Awning



Package Components

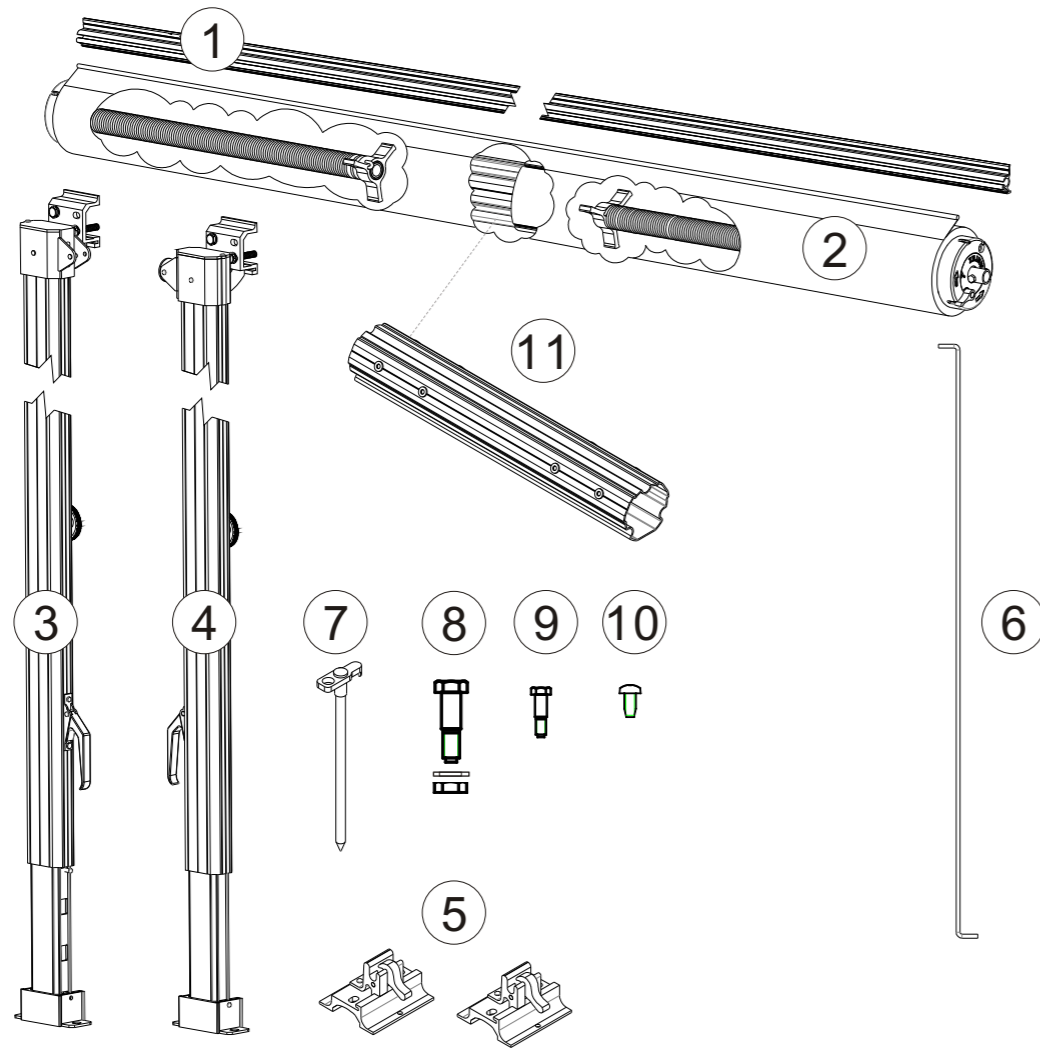
- W5600



<input type="checkbox"/>	ITEM	DESCRIPTION
<input type="checkbox"/>	1	Fabric lock rail
<input type="checkbox"/>	2	Fabric tube
<input type="checkbox"/>	3	Left arm
<input type="checkbox"/>	4	Right arm
<input type="checkbox"/>	5	Wall bracket
<input type="checkbox"/>	6	Hooked stick
<input type="checkbox"/>	7	Peg
<input type="checkbox"/>	8	M10 hex head
<input type="checkbox"/>	9	M6 hex head
<input type="checkbox"/>	10	M4 self-tapping

Package Components

□ W5600C

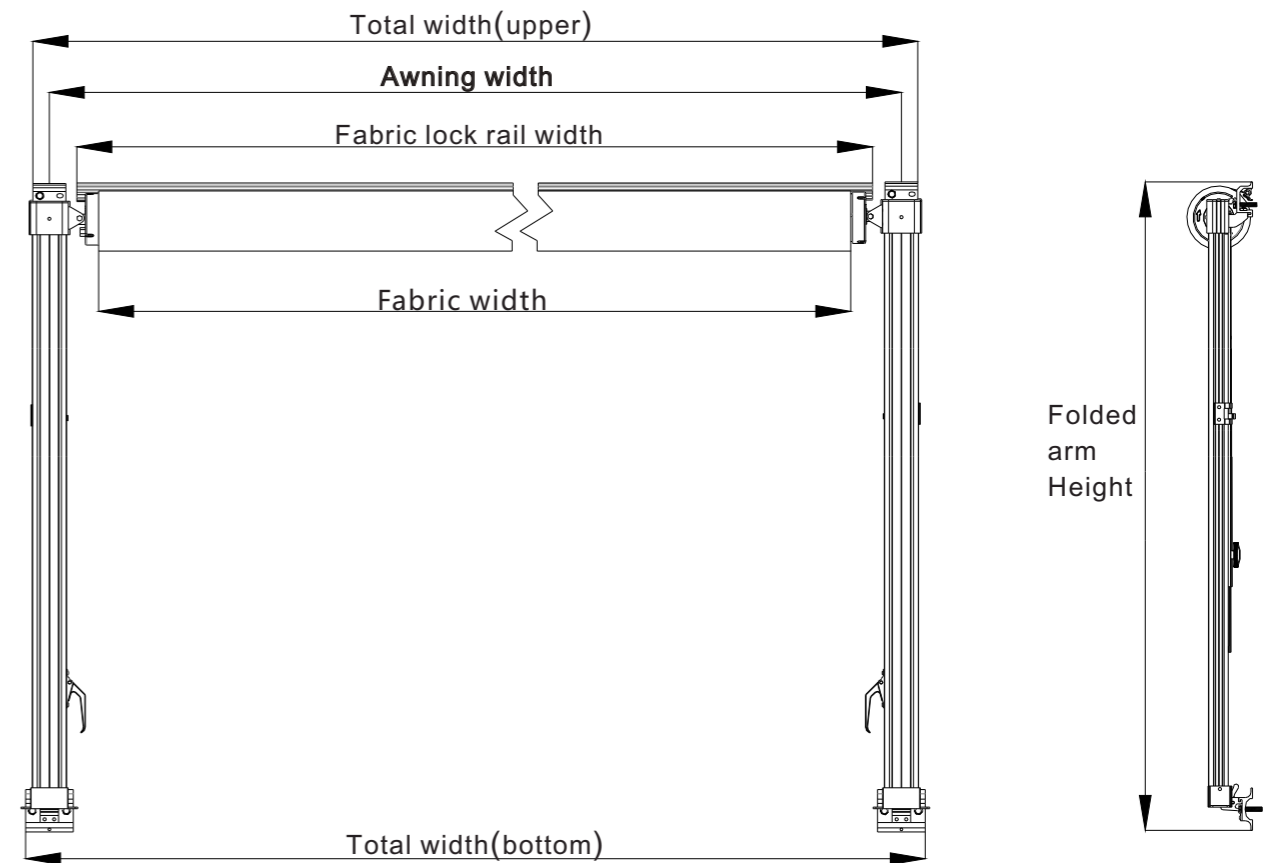


□	ITEM	DESCRIPTION
□	1	Fabric lock rail
□	2	Fabric tube
□	3	Left arm
□	4	Right arm
□	5	Wall bracket
□	6	Hooked stick
□	7	Peg
□	8	M10 hex head
□	9	M6 hex head
□	10	M4 self-tapping
□	11	Fabric tube connector

Introduction

Please check the components of the products on PACKAGE COMPONENTS Page to absolutely ensure nothing is missing in the package box.

Take a look as a cover page of this manual, you will find there are 4 points where you were fixed on your caravan, those 4 points defer in distance (height and width of each type are different) please find it in the bellow measurements sheet of the type you bought.

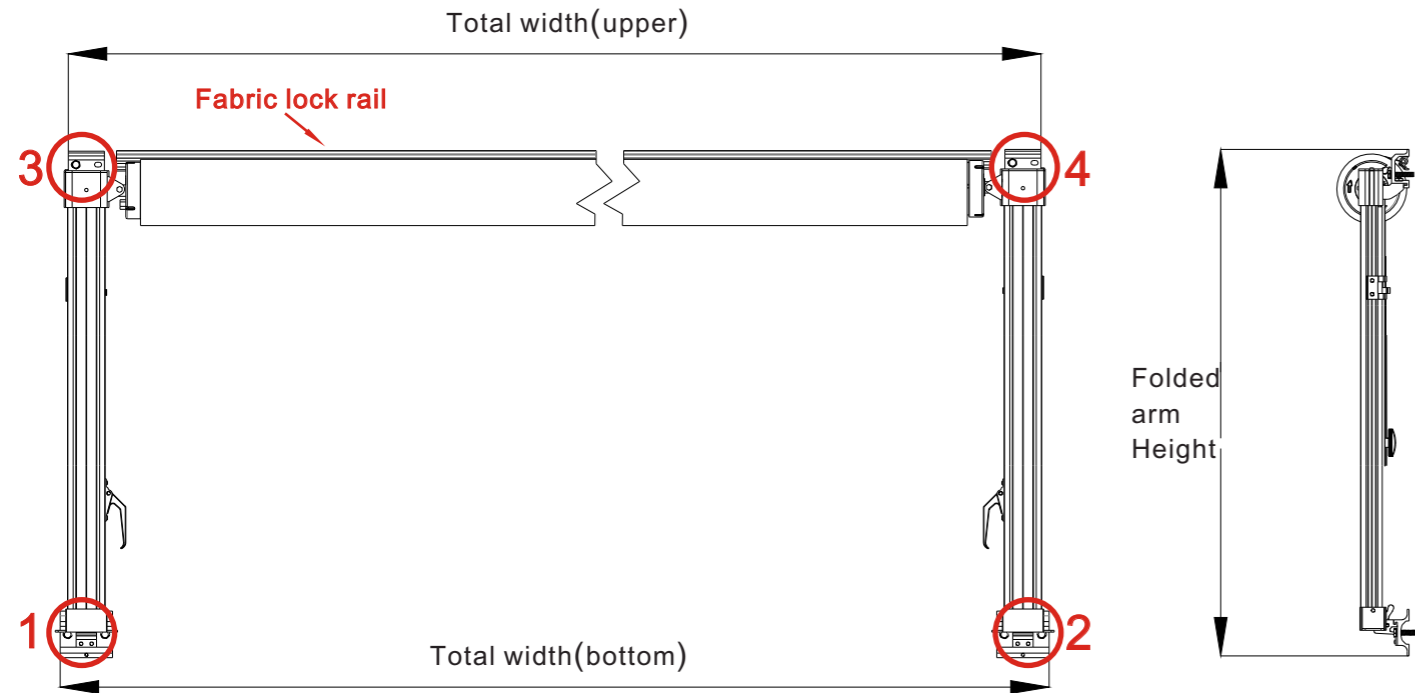


Measurement position sheet								Unit: m
Awning Width	2.5	3.0	3.5	4.0	4.5	5.0	5.5	6.0
Total Width (upper)	2.560	3.060	3.560	4.060	4.560	5.060	5.560	6.060
Fabric lock rail width	2.330	2.830	3.330	3.830	4.330	4.830	5.330	5.830
Fabric Width	2.270	2.770	3.270	3.770	4.270	5.770	5.270	5.770
Total Width (bottom)	2.605	3.105	3.605	4.105	4.605	5.105	5.605	6.105
Folded arm Height	1.84							
Extension (max)	2.5							

Preparation

A. Finding the fixation points(1,2,3,4)

Find the right 4 fixation points which be free stable and do not overlap with other parts of the caravan sidewall (Eg. windows, doors or others)
The fabric lock rail is positioned between the two upper fixation poles.



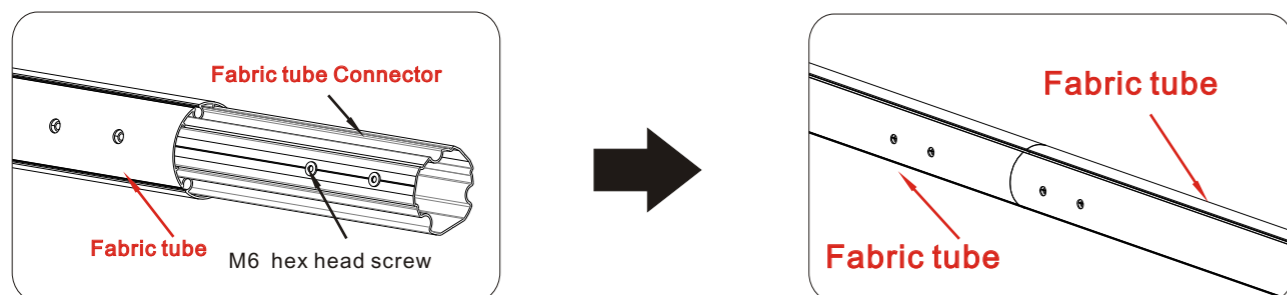
B. Marking fixation points

- 1) Mark the position with erasable color pen (Do not drill holes at that time!)
- 2) To ensure the above named 4 free locations with the suitable distances of the total Height (bottom) and total width (upper).
- 3)Then put 4 brackets (upper and bottom) on their right positions and mark the holes to drill through the brackets.
You may check again the right distances of total width (upper and bottom) by only

If you choose moudler type (W5600C), please follow the bellow extra preparations.

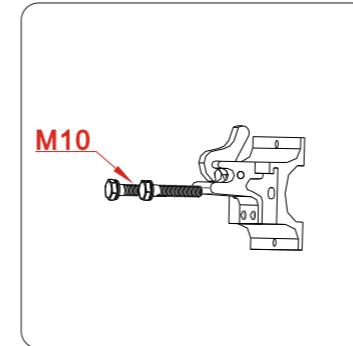
C.Connect the fabric

Find the fabric tube connector and connect the fabric tube piece by piece.
(aligning the hole position then fix the M6 screw)



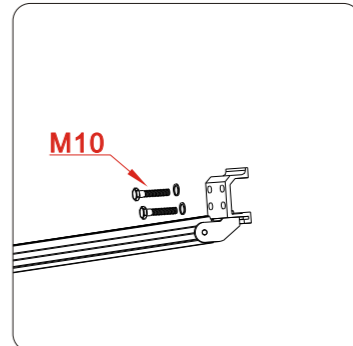
Installation

Step 1



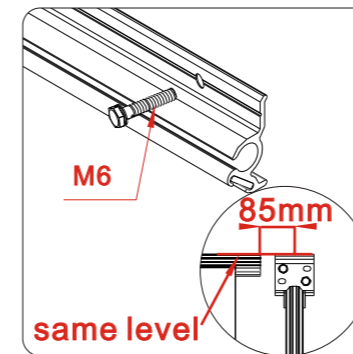
Take the bottom brackets and then drill the holes which are suitable for M10 screw on the previous found and marked position.

Step 2



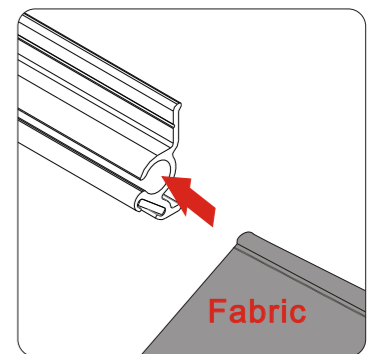
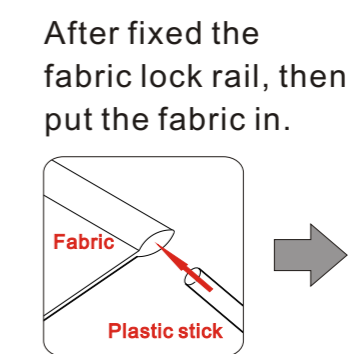
Take the upper brackets and then drill the holes which are suitable for M10 screw on the previous found and marked position.

Step 3



Fix the fabric lock rail between the two upper brackets, but keep them in the same height position.

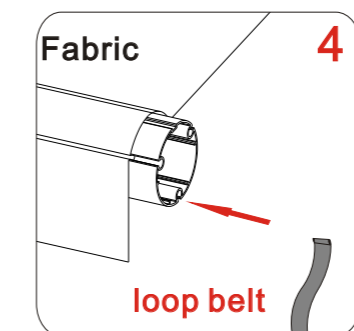
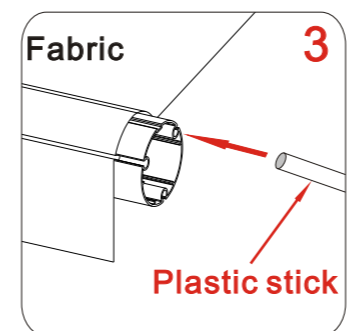
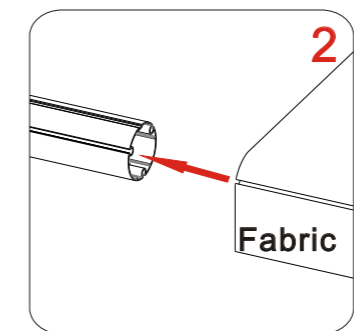
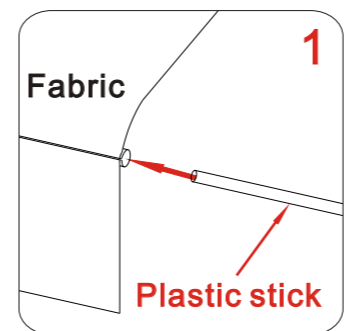
Step 4



After fixed the fabric lock rail, then put the fabric in.

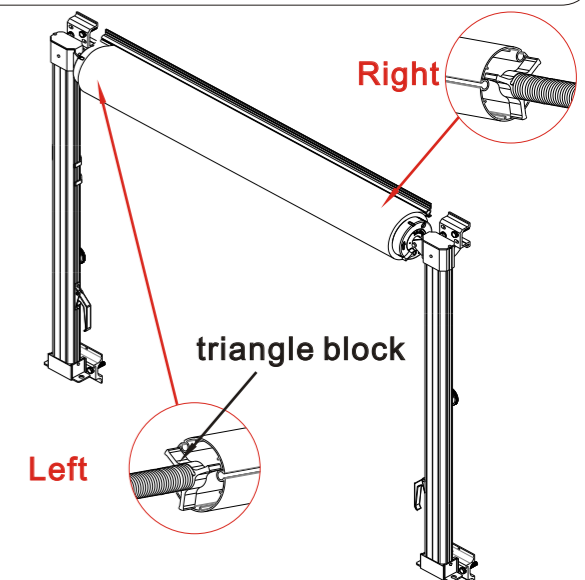
Step 5

- 1) Find the plastic stick and get across fabric loop
- 2) Put the fabric into the fabric tube groove.
- 3) Put the fabric into another fabric tube groove, and then get the plastic stick across .
- 4) Put the belt on the last tube groove, see pic.4

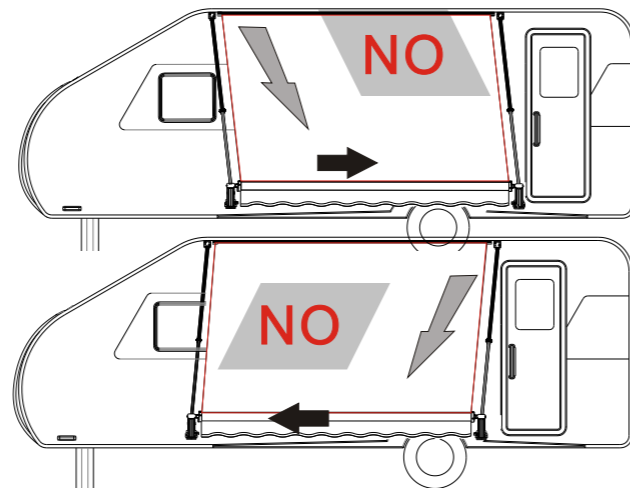
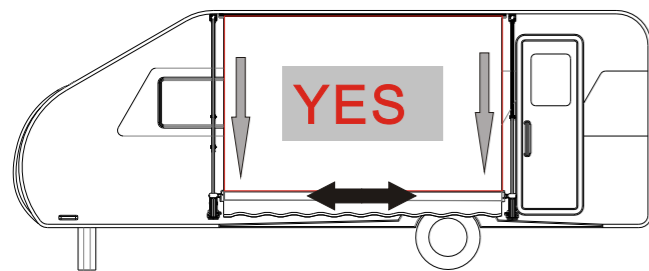


ATTENTION

When reset the side cover components, Make sure the triangle block at the right position

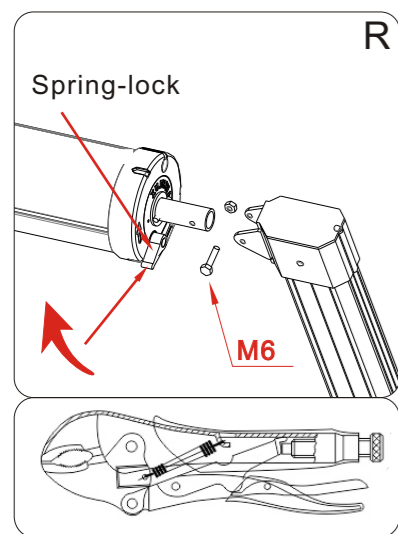


ATTENTION



Ensure the brackets are perpendicular to each other (90°vertically)

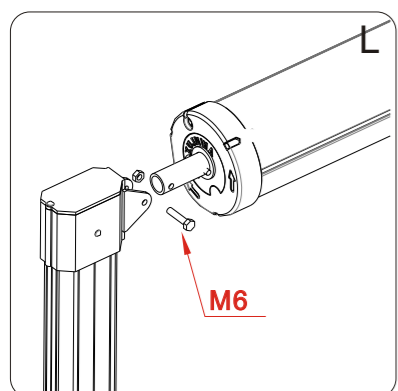
Step 6



On and ONLY the RIGHT side of the fabric-tube, there is a **SPRING LOCK**.
First turn the spring lock according the pic marked direction (There are 2 springs inside the fabric tube which endings stick out a bit on both sides. The 2 springs need to be **PRE-STRESSED** (for nice flat fabric later).
Now grab the little end coming out of the fabric-tube in the middle with a clamp. Turn it in a counterclockwise direction (around 15 complete turns with each 360°).
Then connect the tube with it's **RIGHT** arm.

ATTENTION:
Take care **NOT LOOSING** the pre-stress moment until the right arm is connected safely. (In case the spring lock is not at the right position)

Step 7



Connecting the **LEFT** arm, is done the same way as in step 5 (with pre-stressing the inner spring).

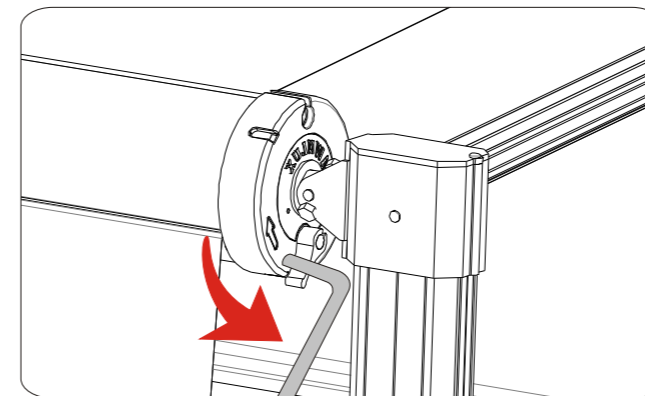
ATTENTION:
After doing the pre-stressing, **DO NOT LOOSE** the clamp (because it is no spring-lock in this end) !
Be careful not to loose the pre-stress moment until the **LEFT** arm is connected safely.

ATTENTION

By now, installation step is done, please double check the awning and keep anwing two side spring torsion are the same, and in a state of equilibrium.

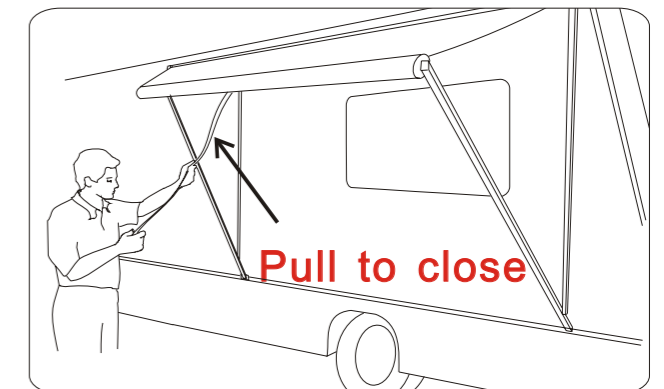
Step.8

Turn the spring lock according the pic marked direction.

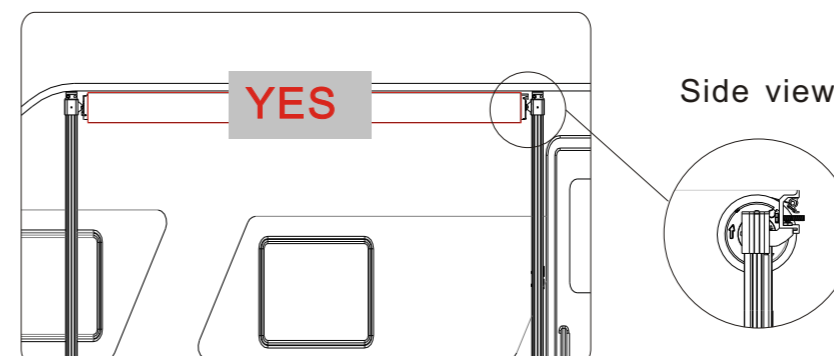
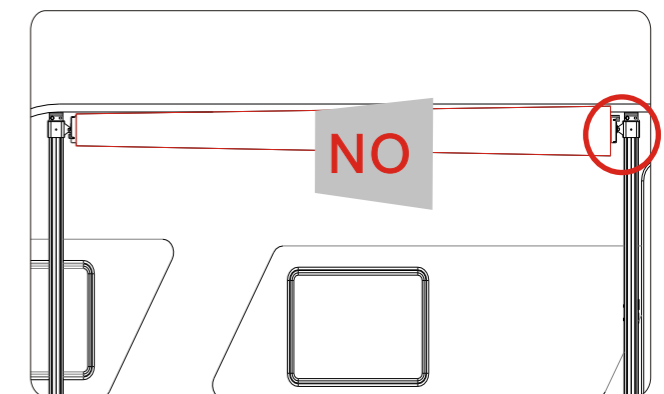
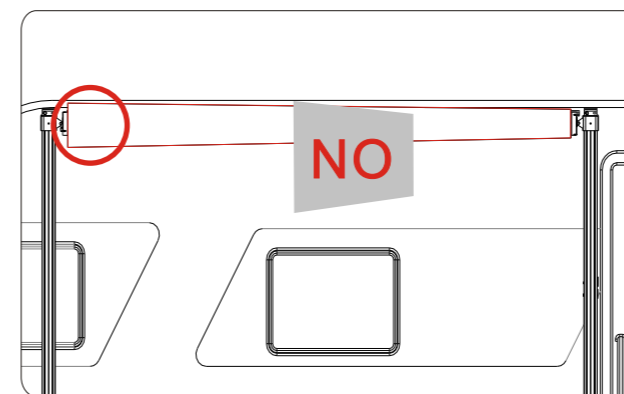


Step.9

Pull to close the awning.



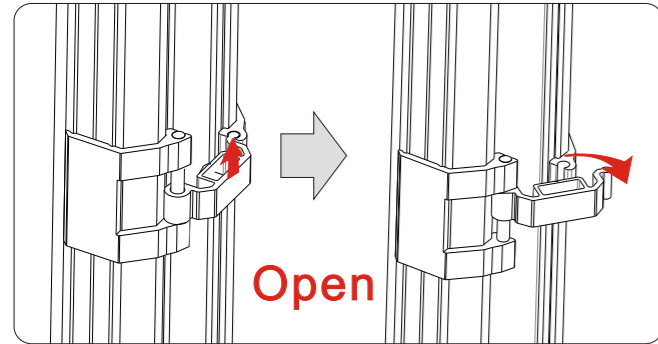
ATTENTION



Open steps

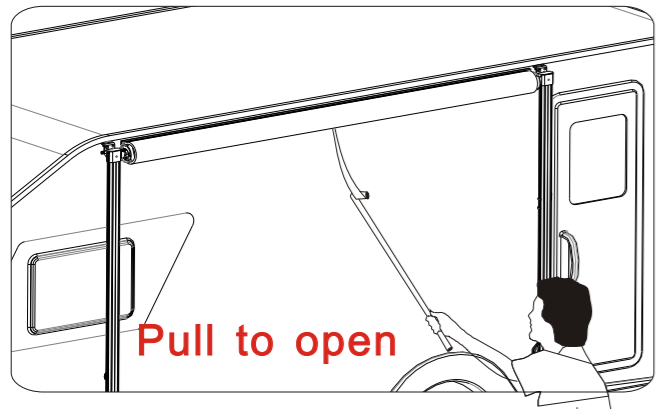
Step.1

Release the inner and outer arm-lock each side.



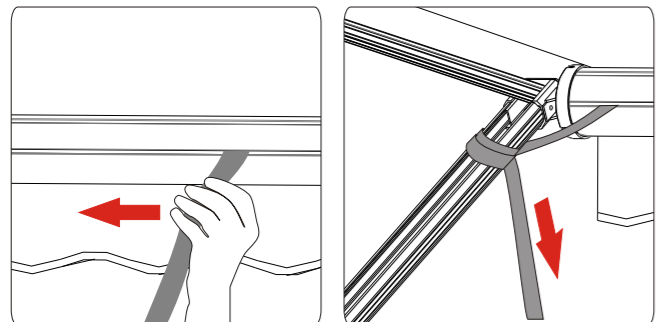
Step.3

Grab the loop with the hooked stick, Now pull the construction open until the outside arms are parallel to the ground.



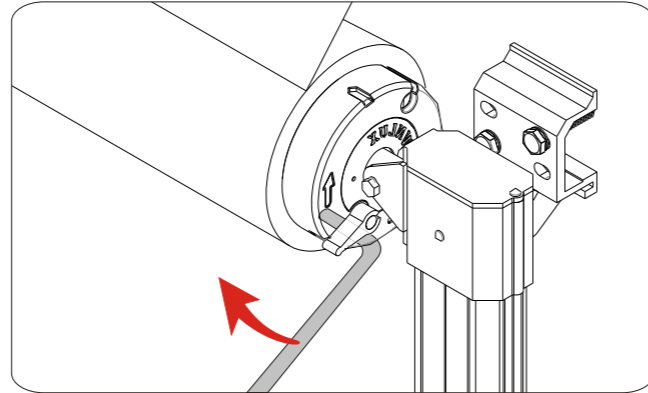
Step. 5

You may store the loop nicely by pulling it on one end of the fabric-tube and making a sloppy knot on one of the outer arms.



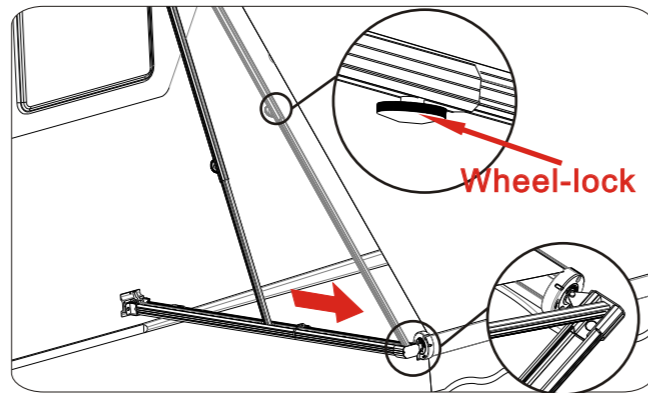
Step.2

Turn the spring lock according the pic marked direction.



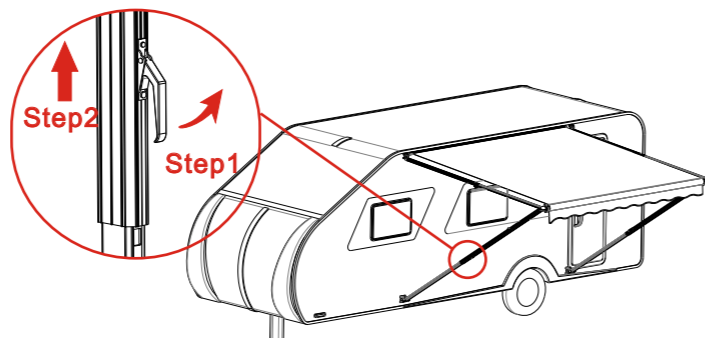
Step.4

Open the wheel-locks of the inside arms and move the arms to the ends of the fabric-tube. Then close their wheel-locks each side.



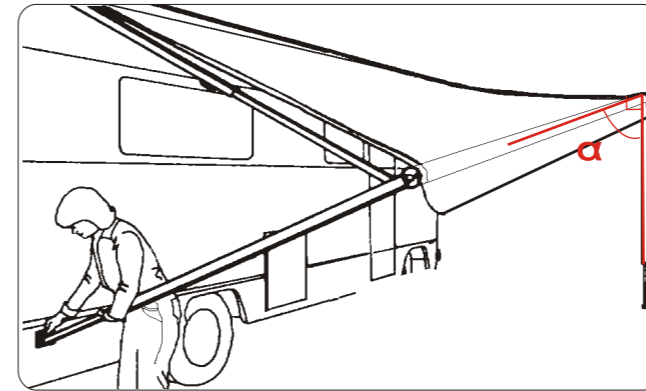
Step. 6

Now you can lift up the fabric-tube by opening the handle-lock on the outer arms and stretch them as long as you like (ranging from 1.7 to 2.87m).



Step.7

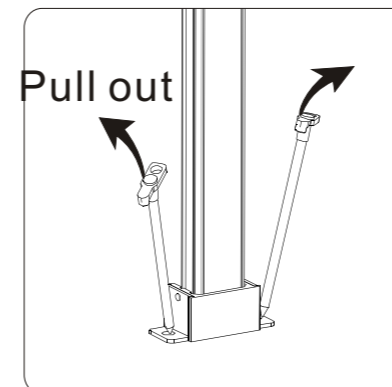
Release the outer arms from their bottom brackets by pushing the little lever. Take care that the construction won't be twisted too much doing so. You may post the outer arms in a good 90 degree angle to the ground. Now adjust the necessary height and then fix the tubes with their locks.



Close steps

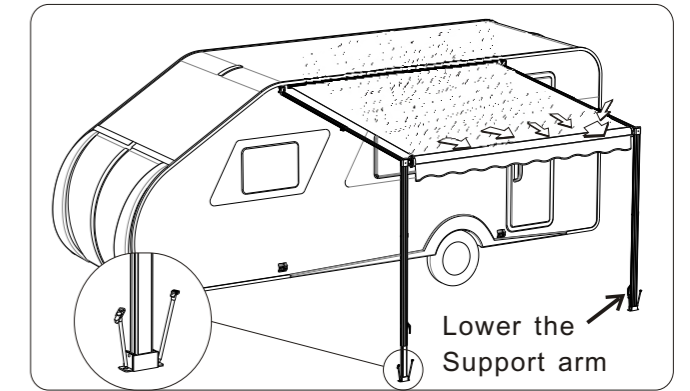
Step.1

For closing pull out the pegs from the bottom-plate of the outer arms.



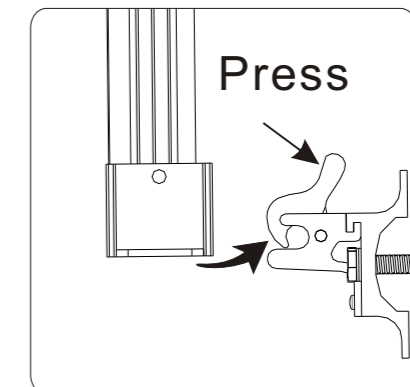
Step.8

Fix the bottom plates of the poles with the steel-peg. That way the outer arms become the poles of the awning and you can adjust the height of the awning later again.
>> PIC: outer arms / poles There should be a little inclination of the fabric against the ground in order to let rain-water run down from the fabric..



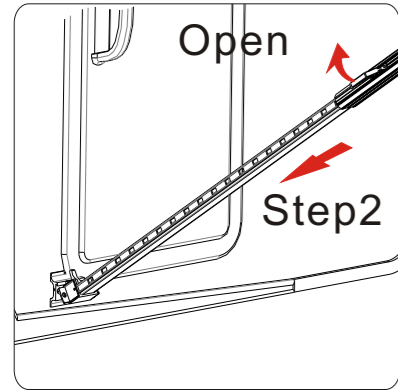
Step.2

Lift up the outer arms and pull them back into their bottom-bracket on the caravan sidewall by opening the bottom-bracket-locks.



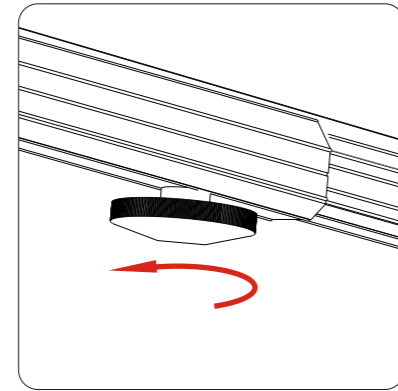
Close steps

Step. 3



Now open the handle-lock and slide the 2 tubes of the outer arms into one another.

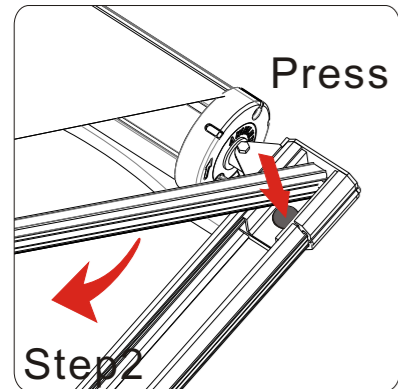
Step. 4



Open the wheel-lock.

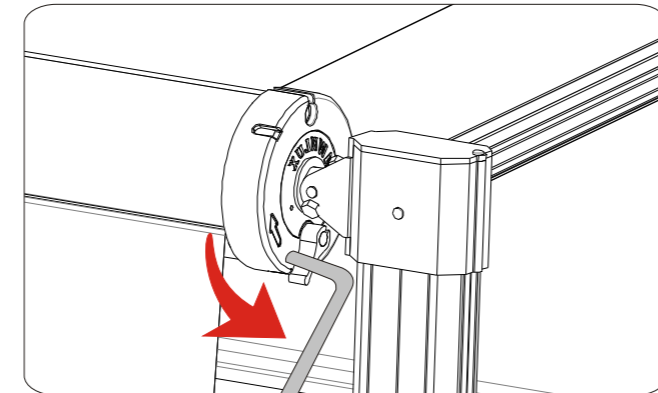
Step.5

Press the buttons inside the outer arms and now slide the 2 tubes of the inner arm into each another.



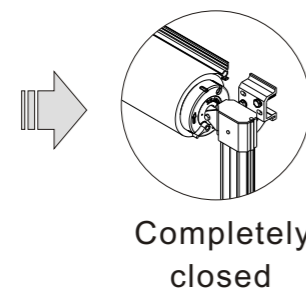
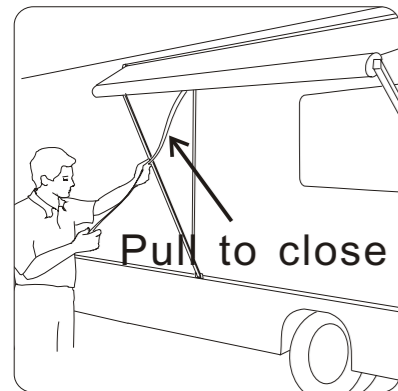
Step.6

Turn the spring lock according the pic marked direction.



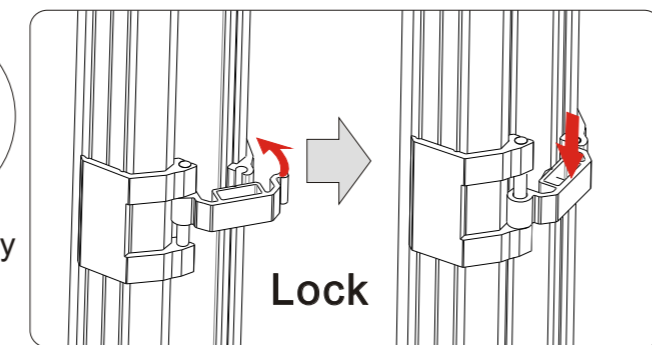
Step.7

Grab the loop and put it in the middle of the fabric-tube and then let the awning rolls itself up slowly.



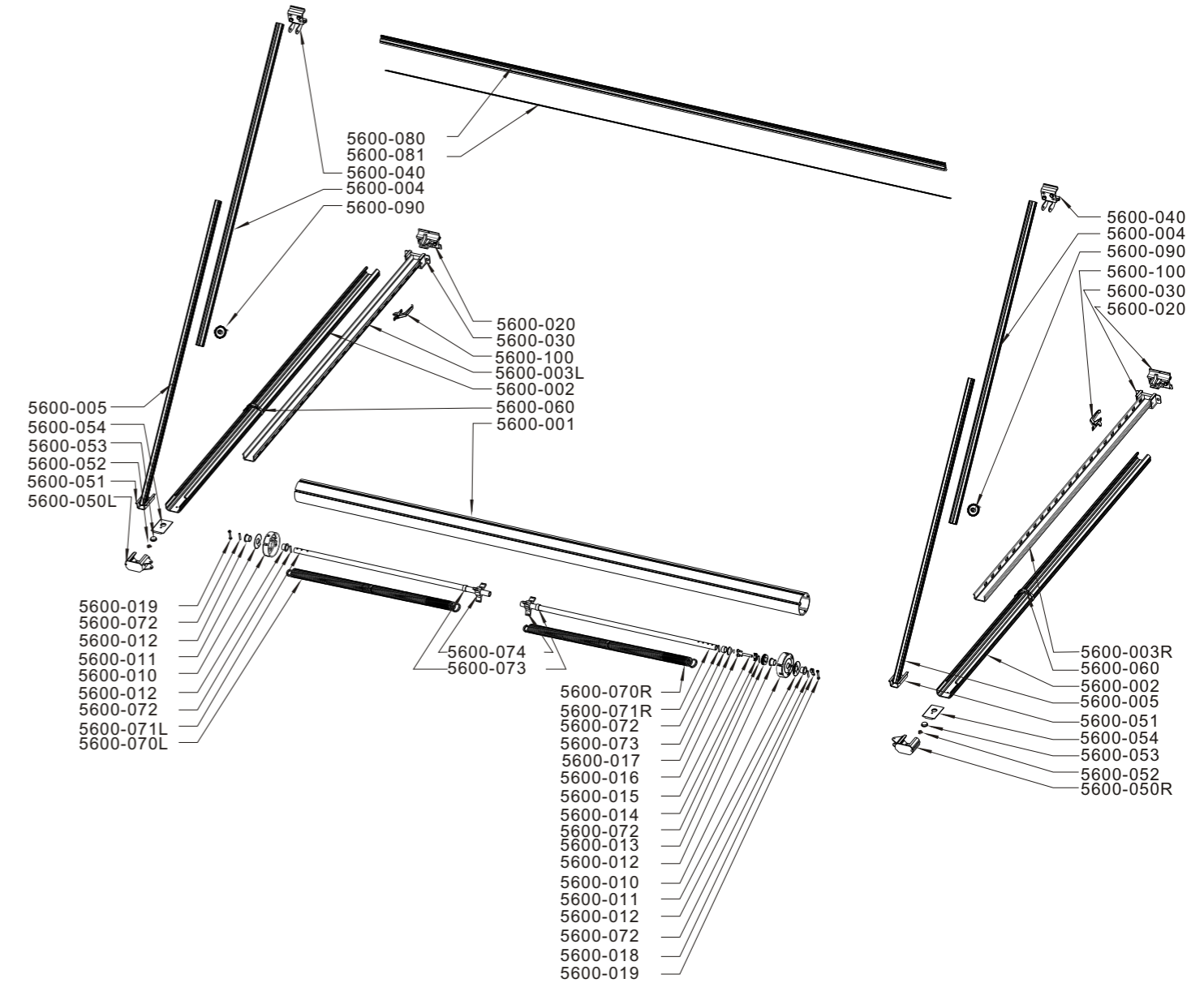
Step.8

Close the inner and outer arm-lock each side.



ATTENTION:
Please make sure that all parts of the awnings are safely locked when you are not using it!

Explode Diagram



W5600-001	W5600-012	W5600-019	W5600-052	W5600-073	
W5600-002	W5600-013	W5600-020	W5600-053	W5600-074	
W5600-003L/R	W5600-014	W5600-030	W5600-054	W5600-080	
W5600-004	W5600-015	W5600-040	W5600-060	W5600-081	
W5600-005	W5600-016	W5600-050L/R	W5600-070L/R	W5600-090	
W5600-010	W5600-017	W5600-051	W5600-071L/R	W5600-100	
W5600-011	W5600-018	W5600-052	W5600-072	FABRIC	