

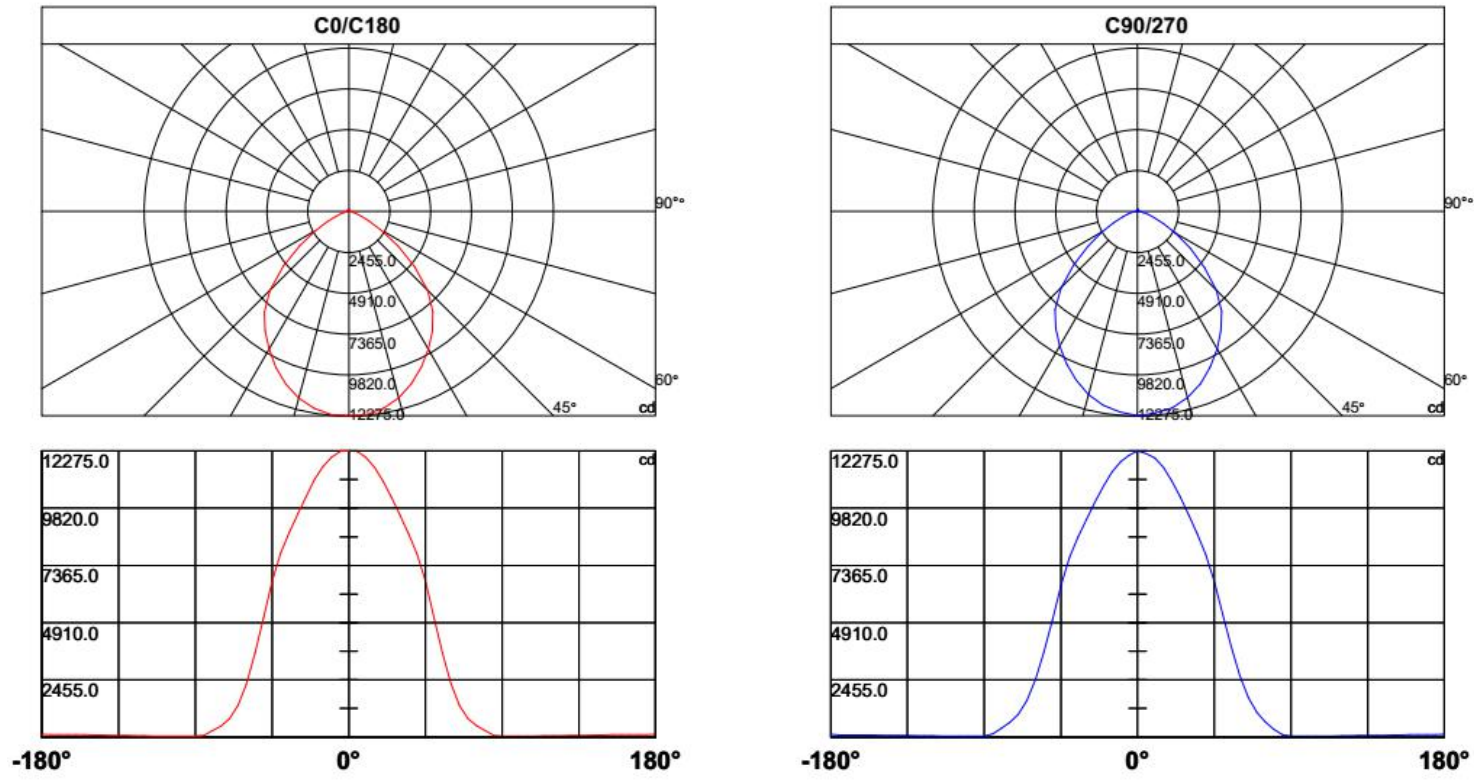
LED HV Floodlight 200W

Photos

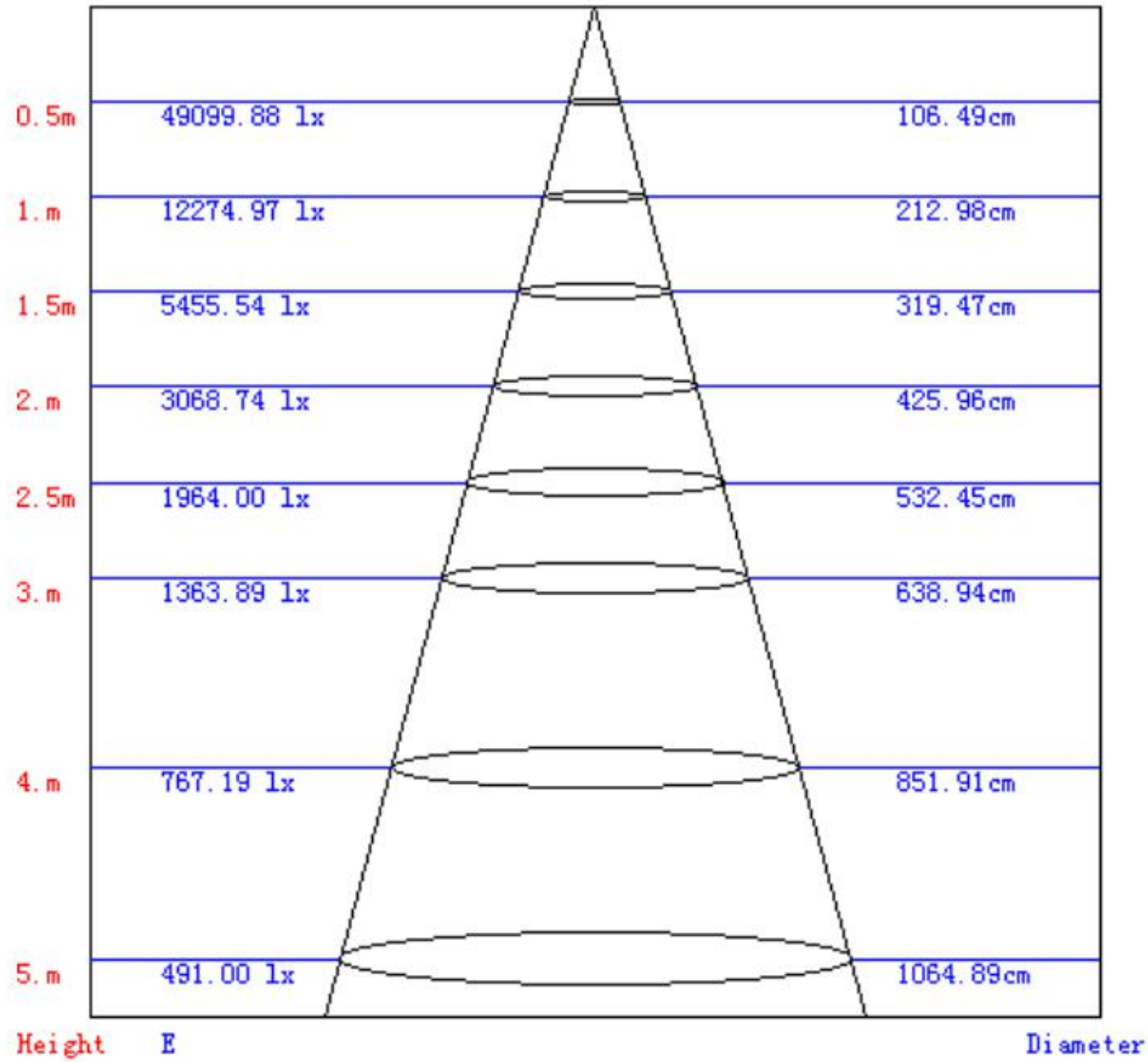
<http://1916-led.com/>

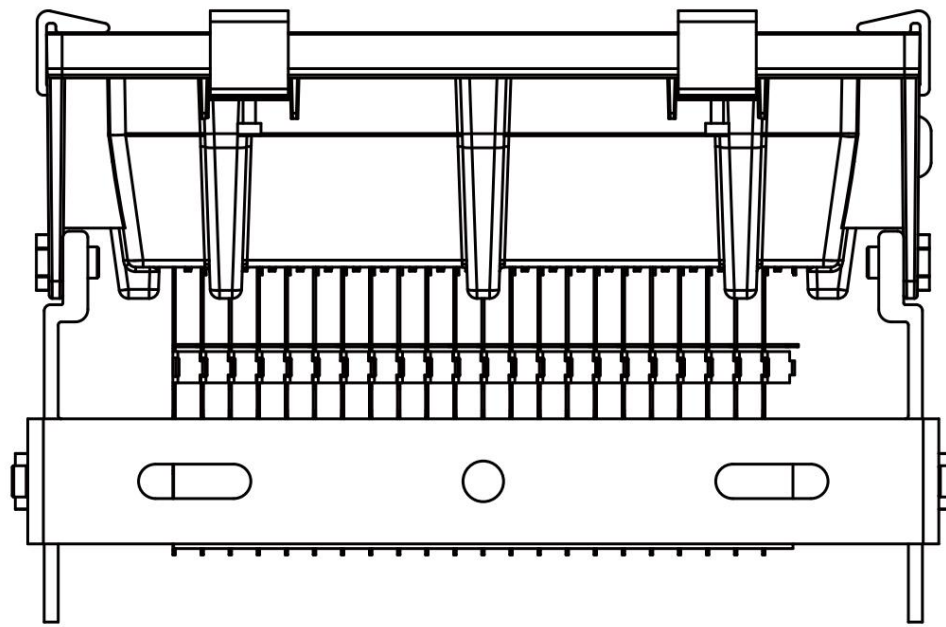
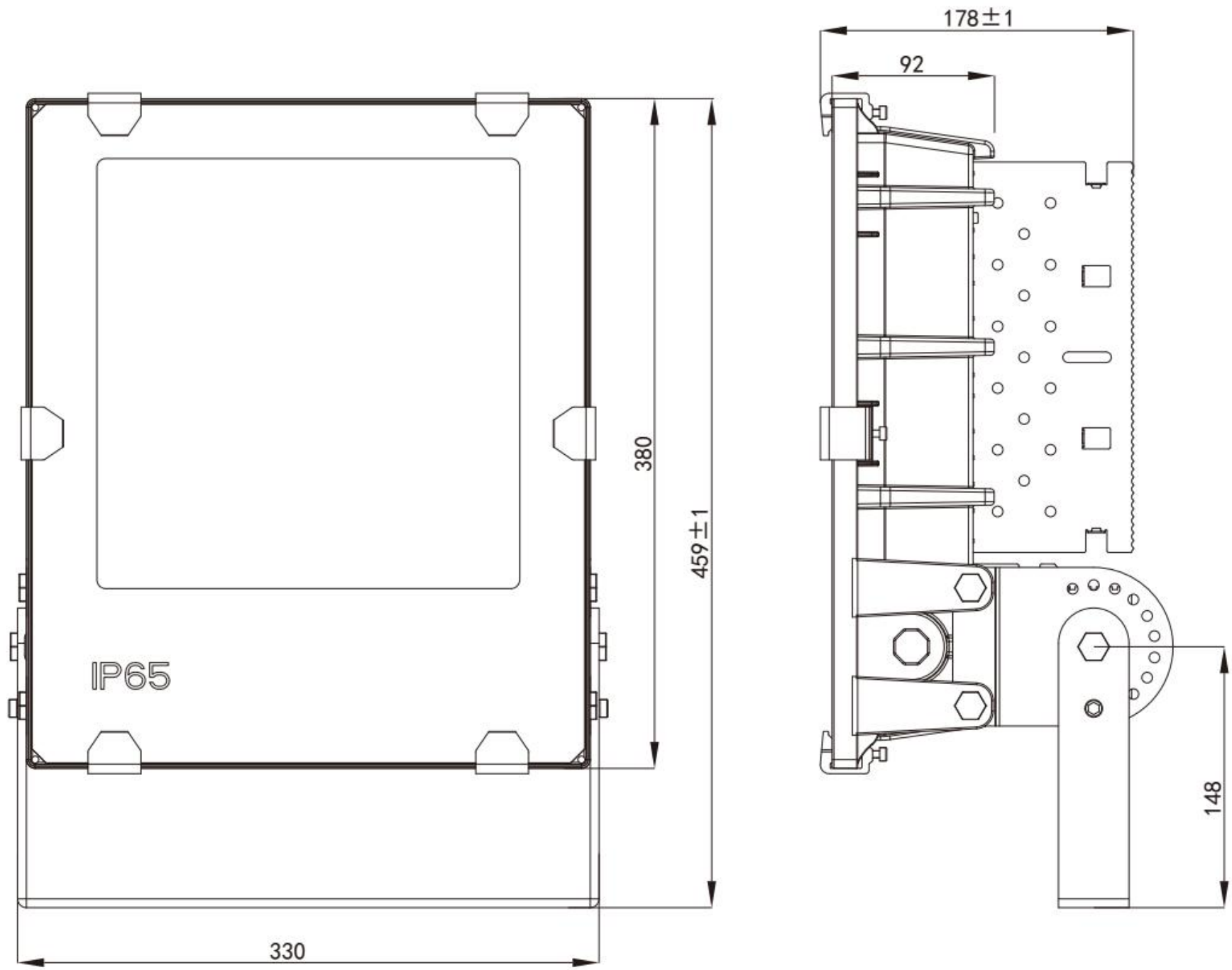


Testing spec.: U:229.6V I:0.885A P:201.5W PF:0.992 LM:24180lm		
Model: 1916-HVFL200W	Lamp type: Outdoor using	Weight: 8KG
Testing height: 10M	Beam: 120°	Testing No.: 1916-HVFL200W-A01
Manufacturer: Shenzhen 1916LED Co.,Ltd		
Rated power: 200W	Testing power: 201.5W	
Working voltage: AC190-260V	Testing voltage input: AC229.6V	
Luminaire efficiency: 90	Power factor: 0.992	
Lumen: 24180lm	LED luminous efficiency: 120lm/W	
Light source: Philips-3030LED	LED Qty: 264PCS	
Correlated Color Temperature: 2700-6500K	Testing color temperature: 6500K	
Beam angle: 120°	Testing beam angle: 120°	
Degree of protection: IP65	Color rendering index: Ra80	



Lux-Distance Curve





Package qty: 1PC

GW: 9KG

Package size: 525*435*285mm

