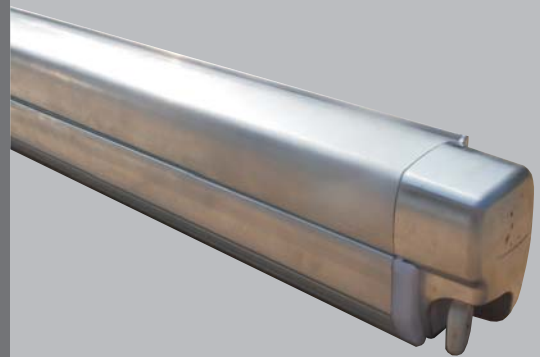


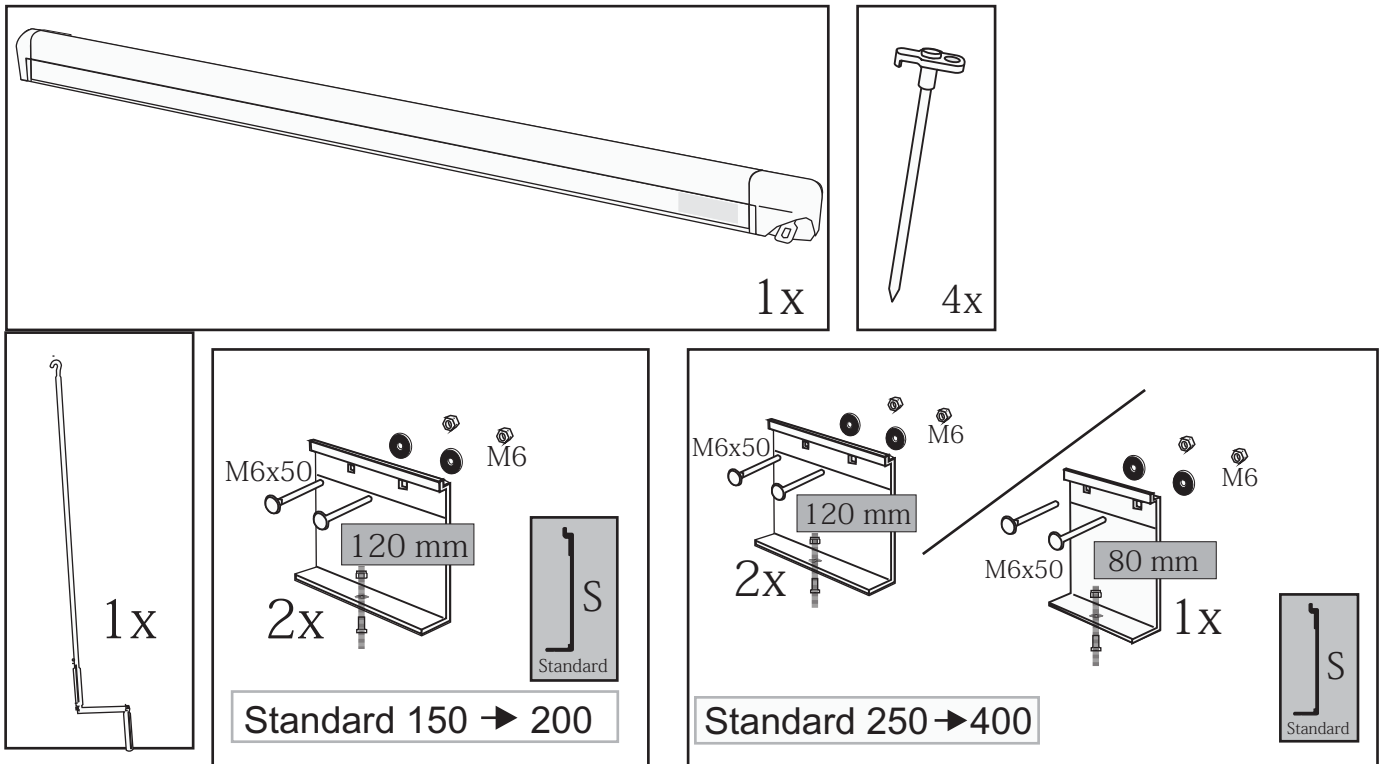
Installation
and use instructions

RV awning

W5500



PACKAGE CONTENTS



To use the awning in the best way, read the user's instructions carefully and keep them on hand for consultation in the future.

INSTALLATION INSTRUCTION

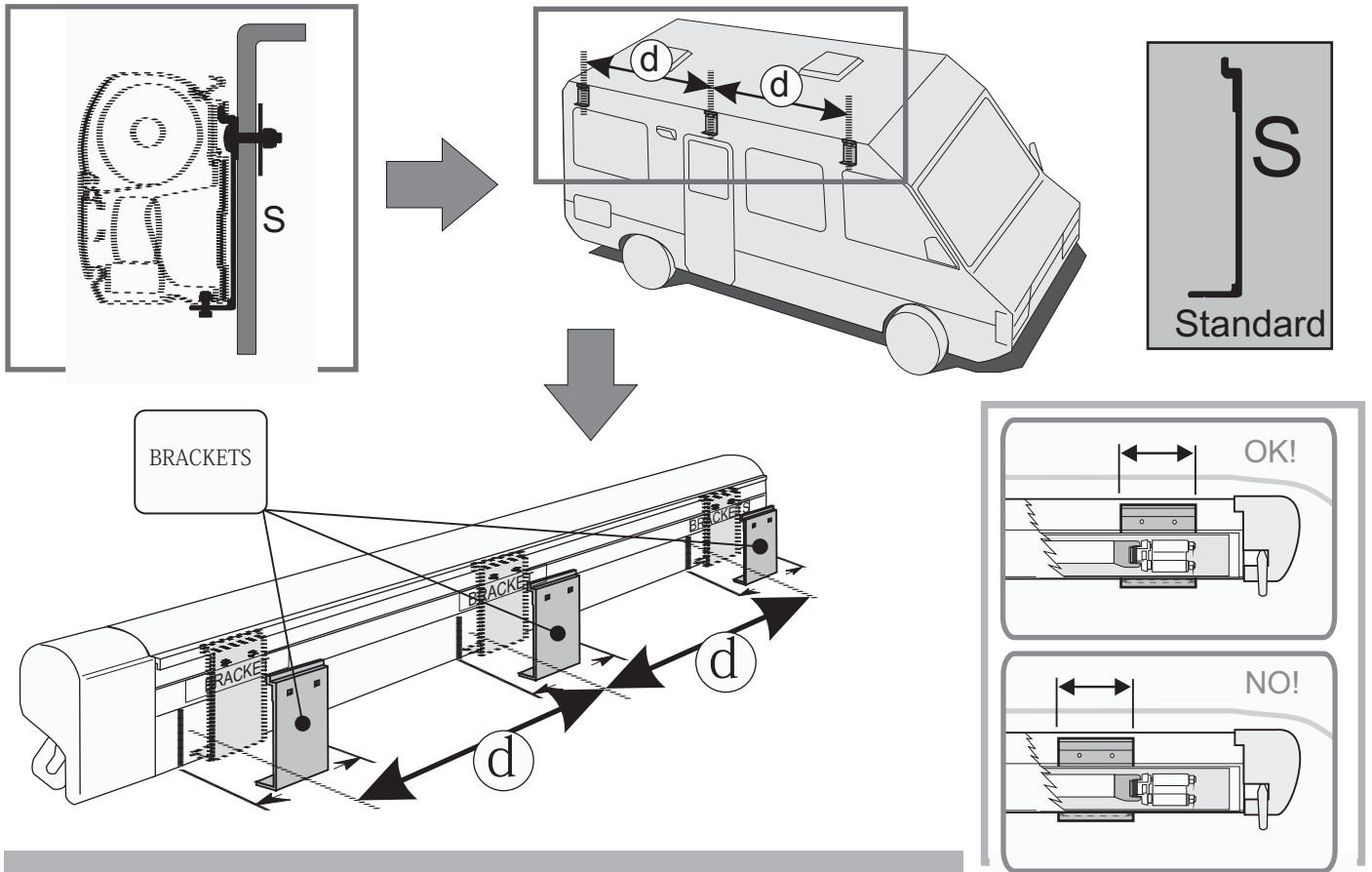
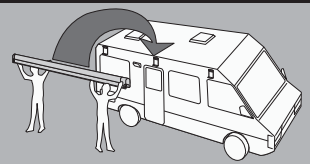
1. The installation must be out by qualified persons.
2. Check the wall of the vehicle and verify position of the reinforced points or request this information from the seller of your vehicle.
3. After confirming the correct reinforced points, choose the appropriate brackets.
4. Mark the fastening points on the outside wall of the vehicle (FIG.A), keep-ing in mind to receive the pulling force of the retractable arms, the brackets need to be fixed exactly behind the stickers SUPPORT which are on the awning. It is necessary that brackets are fixed equidistant from one another (d). Make sure that the awning is installed horizontally.
5. Before drilling, make sure that there are no obstacles on the inside (e.g. Electric cables, gas pipes etc).
6. Fasten the brackets, but be careful not to over tighten the lock nuts of the bracket plates (FIG.B).
7. Place the awning on the brackets and fasten it as per illustration (FIG.C).

IMPORTANT WICHTIG CUIDADO IMPORTANTE

ATTENTION - Periodically check the brackets to make sure it is firmly attached (especially after the first kilometers) make sure the belts are not loose and that holding brackets have not shifted.

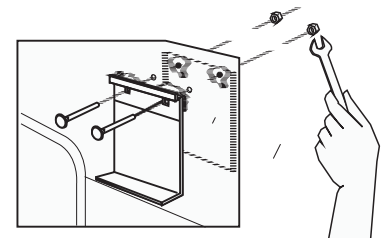
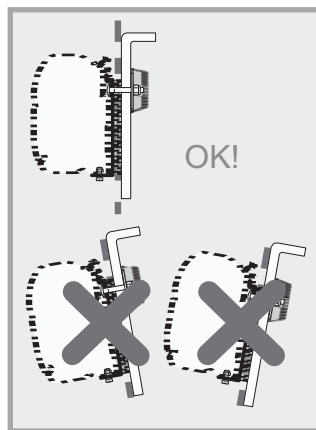
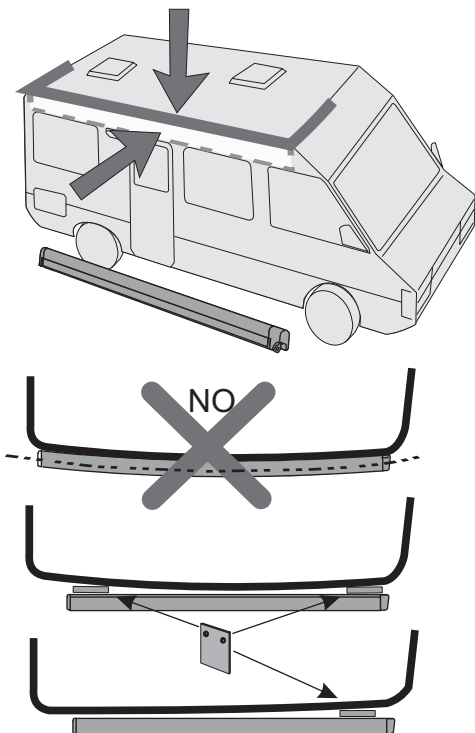


Standard installation



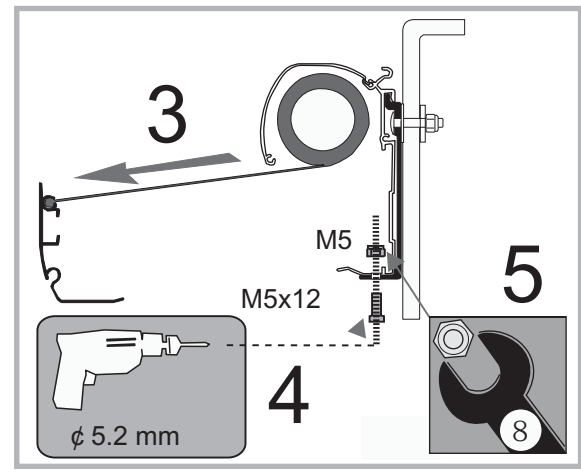
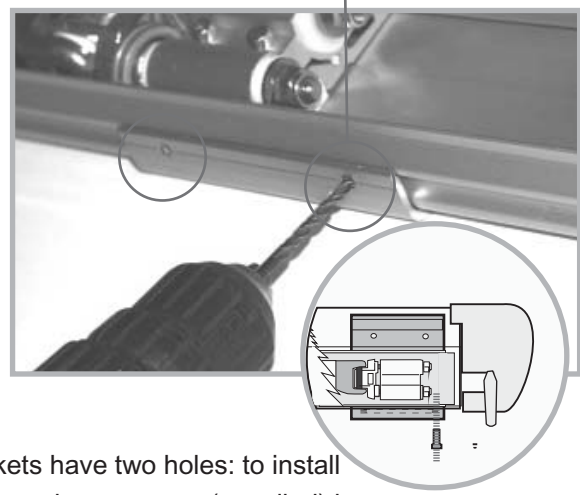
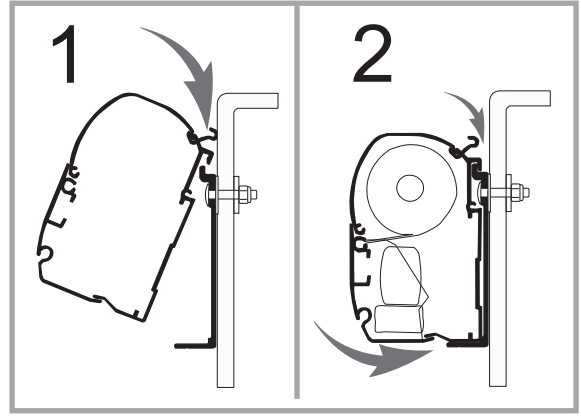
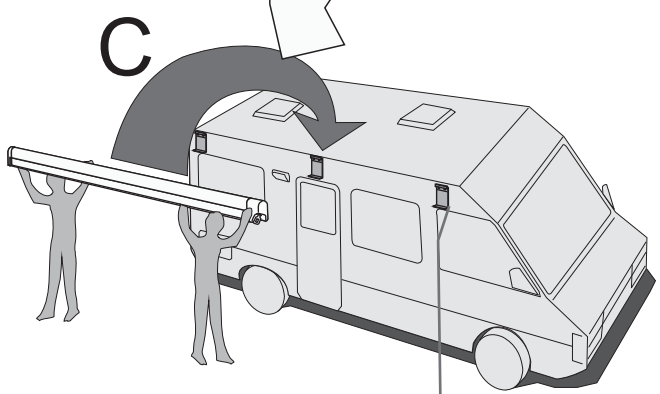
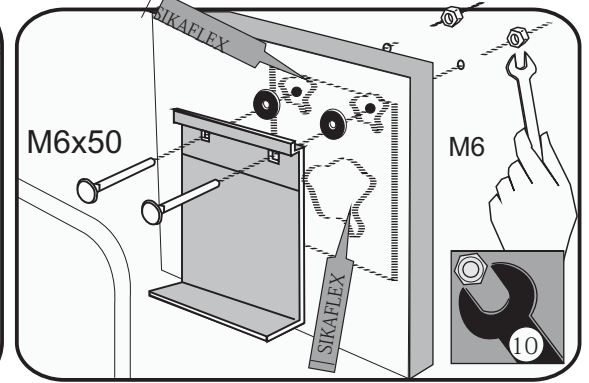
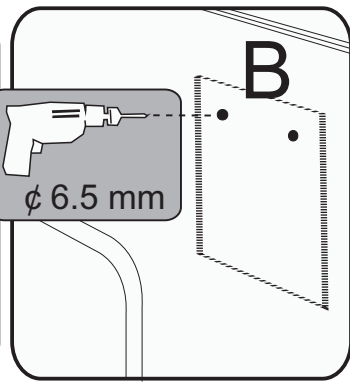
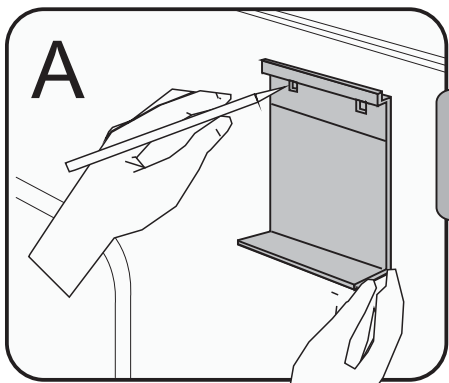
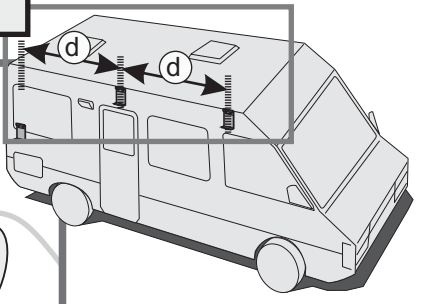
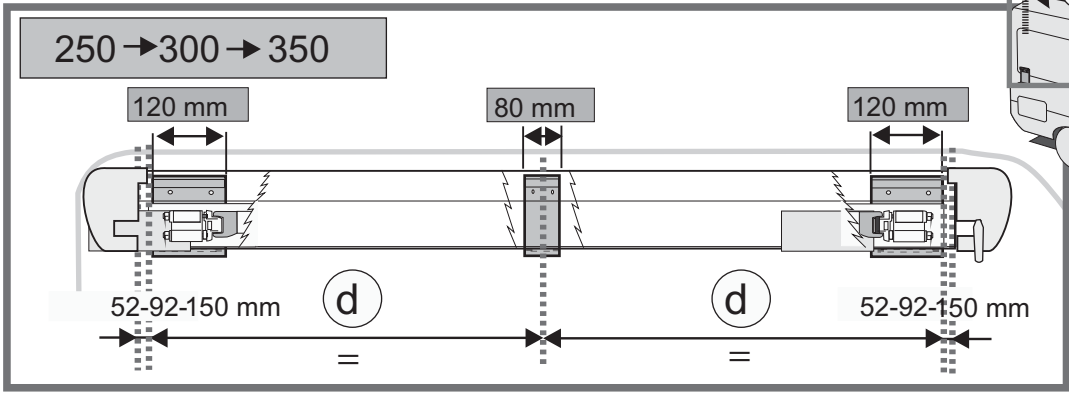
IMPORTANT WICHTIG CUIDADO IMPORTANTE

When installing the awning, please make sure that the brackets are in Correspondence with the sign BRACKETS ? and in correspondence with the arms fixing points in the box.



In case the wall of the vehicle is not Perfectly straight, please place Some spacers between the bracket and the wall of the vehicle (See here left).

We recommend to use always the 3 brackets when installing the awning: this is Absolutely necessary for a safe installation of longer awnings.



The brackets have two holes: to install the awning only one screw (supplied) is necessary; use the most convenient hole.



- Fig.1: In order to avoid unnecessary strain on the awning as well as on the vehicle side, we suggest to take out the legs at about 1 m from the opening.
- Fig.2: Grasp the leg near its hinge-joint and pull it toward you.
- Fig.3: Unhook the leg.
- Fig.4: Lower the leg as show in the figure.
- Fig.5: After unrolling the awning completely, adjust the legs at the chosen height.
- Fig.6: To avoid that the awning is lifted up by an unexpected gust of wind, it is necessary to secure the legs to the ground with the provided Hooks. For safety's sake, we strongly advise you also use some storm cords in the upper part of each support leg.
- Fig.7: If you want to fasten the support legs to the vehicle, put the terminals into the wall brackets. The brackets can be fixed only in reinforced points.
- Fig.8: We remind you that the awning is a sun protection, so please roll up your awning in case of rain, wind or snow. Otherwise, please take the following precautions: lower one side of your awning, so that water can flow away and place the tension rafter as shown in the figure(not included for all awning lengths).
- Fig.9: Make sure that the awning perfectly rolls up: when it is, the red indicators in the front profile ends are no longer visible. Before leaving, make sure the awning is correctly closed. A damaged fabric does not allow the awning to perfectly roll up. Never use the awning with a damaged canopy. Wash the canopy with light cleaning detergent. In case of problems, please contact the dealer closest.

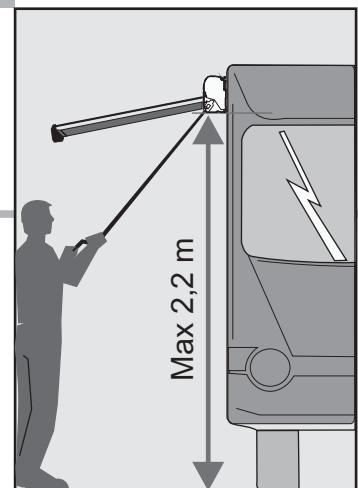


ATTENTION

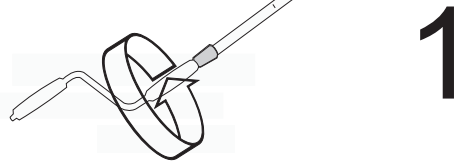
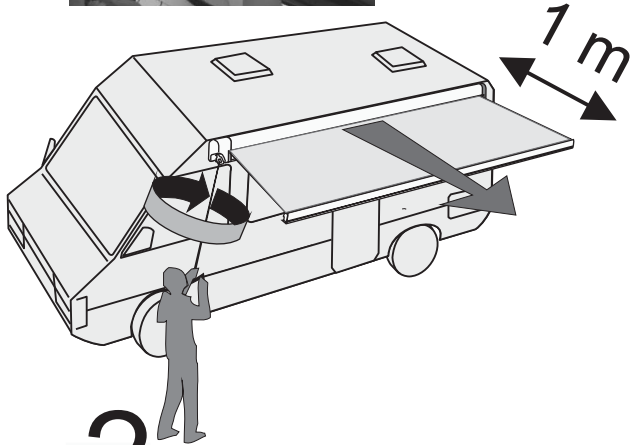
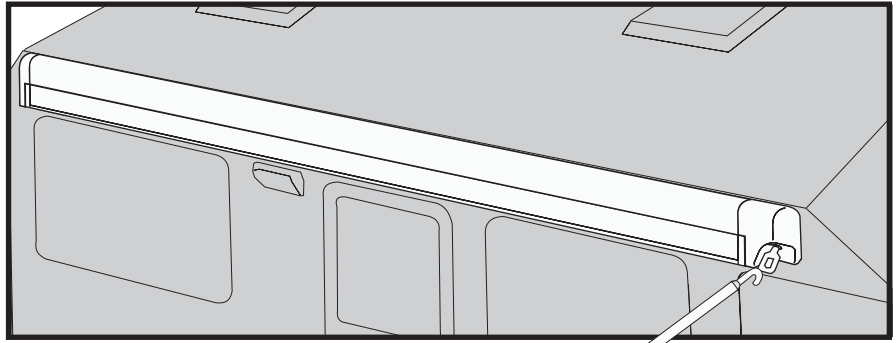
We remind you that the awning is designed to protect from the sun, and not from rain, wind or snow. In these cases, we recommend to roll it up!

IMPORTANT WICHTIG CUIDADO IMPORTANTE

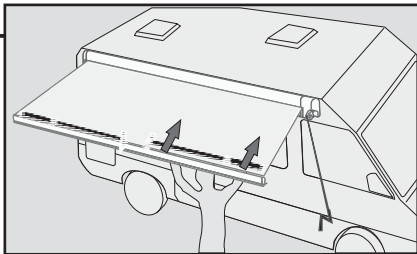
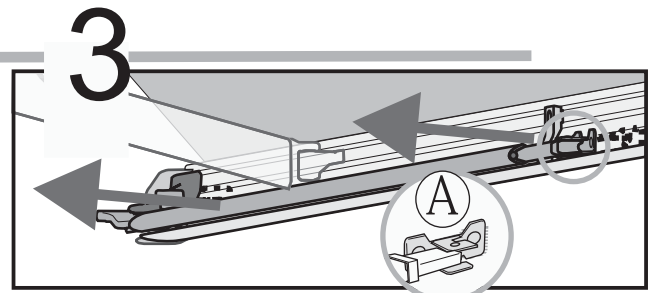
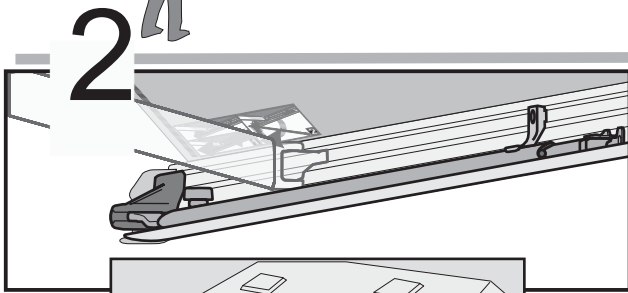
Due to its particular structure, this awning has to be installed on the wall of the vehicle max 2,2 m, this height allows to put the legs on the ground.



INSTRUCTIONS FOR USE

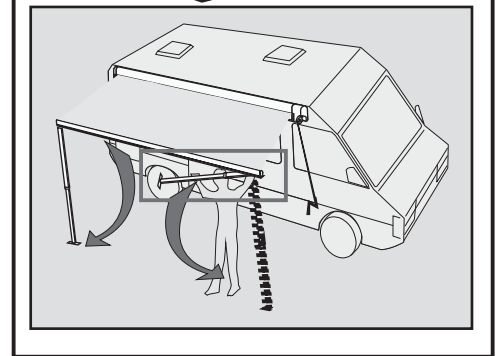
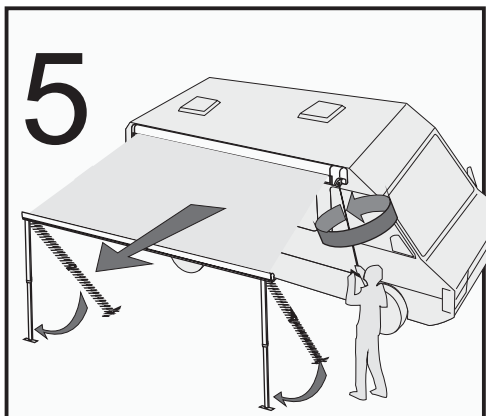
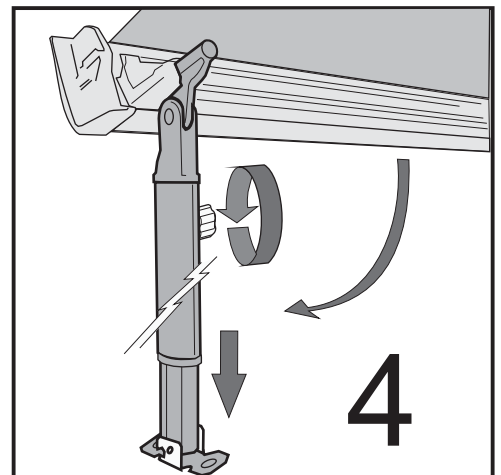


In order to avoid unnecessary strain on the awning as well as on the vehicle side, we suggest to take out the legs at about 1 m from the opening.



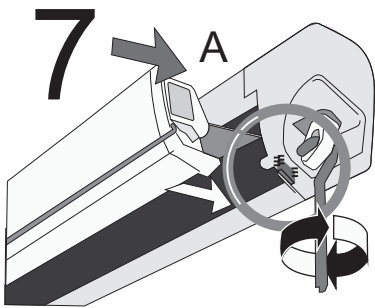
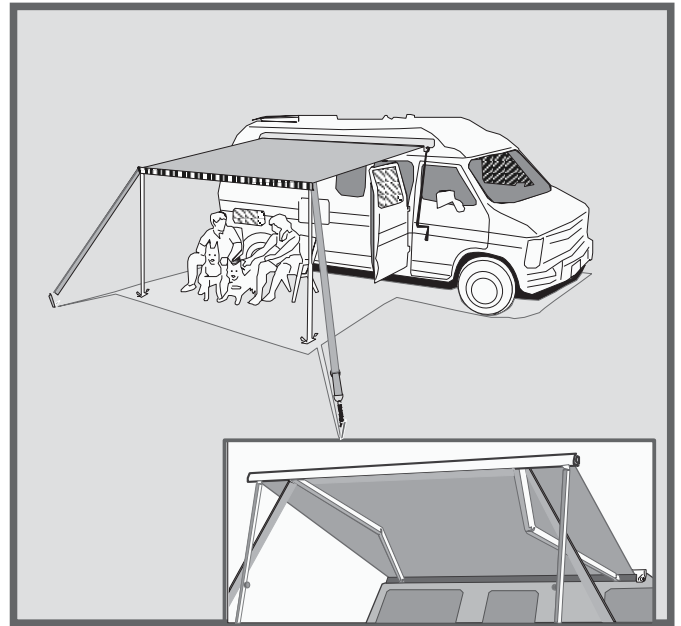
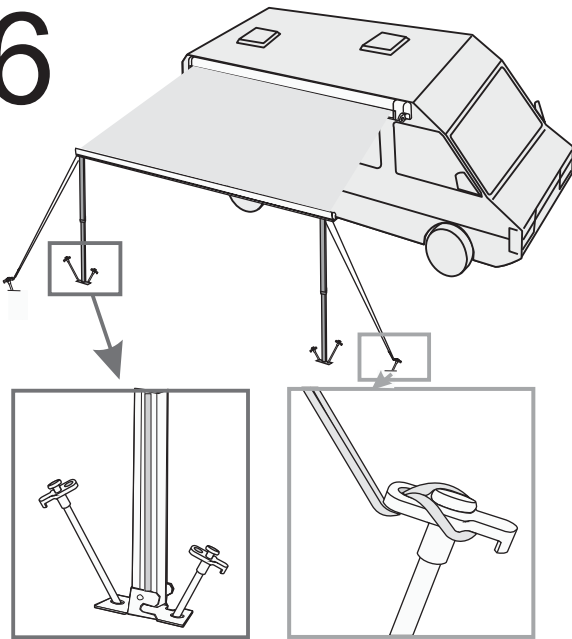
Attention Security

The foot for leg A has been created to prevent its correct placing inside the housing of the lead bar during the closing phase of the awning. With an incorrect placing of the foot the lead bar wouldn't close completely; So we advised you to put it always into the housing properly with the base turned to the lead bar.

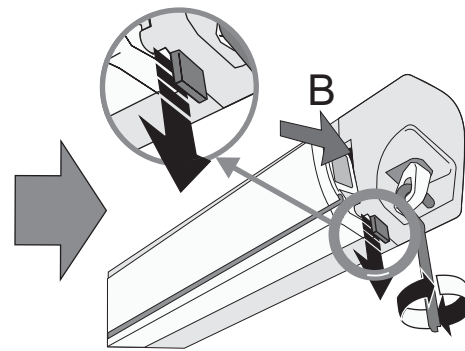


INSTALLATION OF AWNINGS TENSION ACCESSORIES

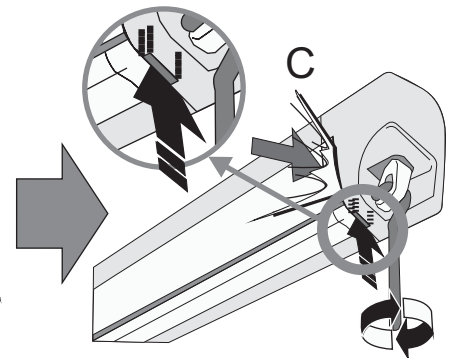
6



The awning is open.
The white flag is visible.



The awning is about to close.
The white flag is visible.



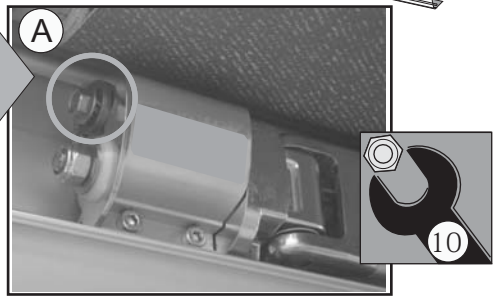
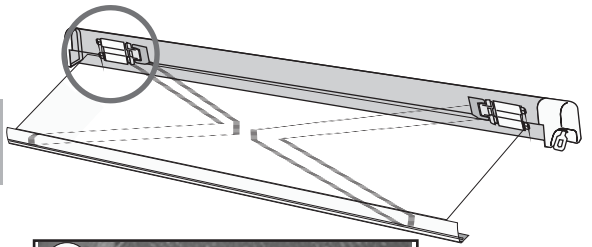
When the awning is completely closed, the white flag is no longer visible. The awning is now properly closed. The closure runs smoothly without problems.

PROBLEM ARM ADJUSTMENT

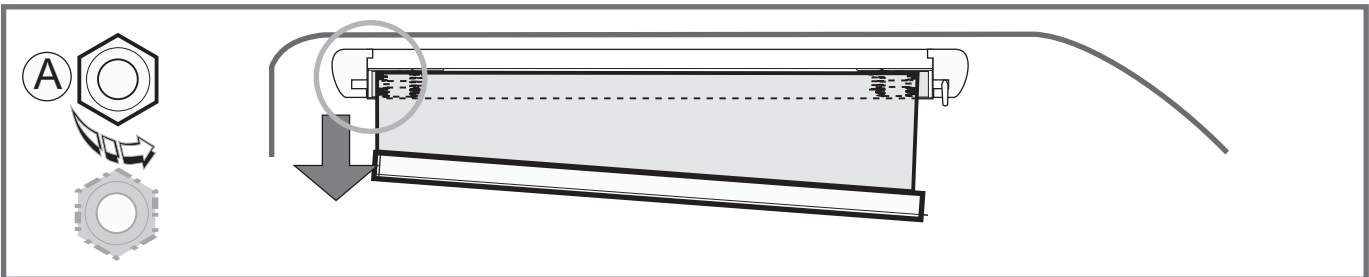
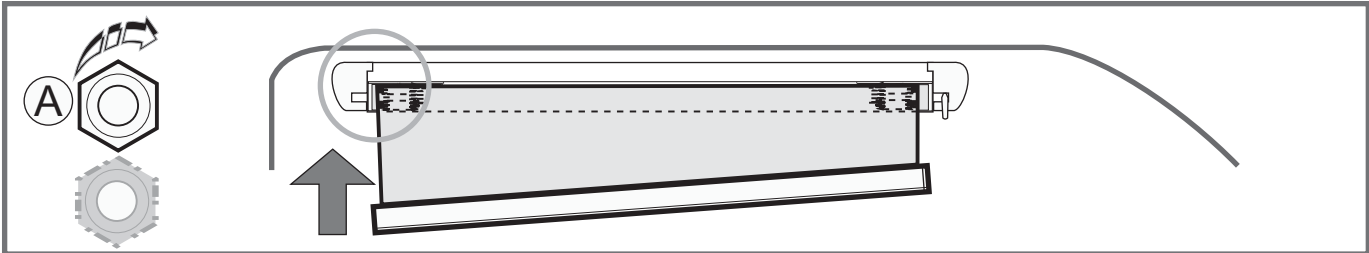
WAREDA AWNINGS LEAVE OUR WAREHOUSE WITH OPTIMUM REGULATION. THE ARM MAY LOWER ITSELF WITH THE WEAR AND TEAR OF TIME. REPOSITION THE ARM AS FOLLOWS.

IMPORTANT WICHTIG 

For arms and fabric adjustments, please use only the depicted top bolt.



Screw/unscrew nut (A) to reposition the arm.



Make sure that the front profile comes out horizontally when unrolling the awning.

